



# MONOGRAM HOME

SPECIFICATION MANUAL



# CONTENT

4	The Monogram Home Collection
5	Door Style
6	Cabinet Materials
8	Base Cabinets
18	Wall Cabinetry
33	Vanity Cabinetry
41	Pantry / Tall Cabinetry
50	Accessories
59	Moldings
60	Storage Solutions
63	Rolls Outs
65	Architectural Slabs
66	Hardware
67	Marketing
70	Touch-Up Supplies
72	Warranty

# THE MONOGRAM HOME COLLECTION

CABINETS YOUR CUSTOMER NEEDS

---

Monogram Home has rethought the cabinet buying experience by including the most desired cabinet upgrades in our Monogram Home line at a reasonable pricepoint.

- Frameless Box Construction.
- All Plywood, ¾" Nominal Box Construction. (18mm)
- ⅝" Dovetail Drawers with ⅜" bottom & Soft-close Hardware.
- Integrated Soft-close, Six-Way Adjustable Hinges.
- 13" Depth Upper Cabinets for Storage.
- Full Depth Base Cabinet Shelves.
- Designer Features at Reasonable Prices:
  - Floating Shelves
  - Suspended Vanities
  - Double Thick Open Shelves
- Dowel/Case Clamp Construction (Furniture Box) – Glue, staples and screws used.
- Integrated Cabinet Aluminum Pull on Wall Door Cabinets.



# DOOR STYLE

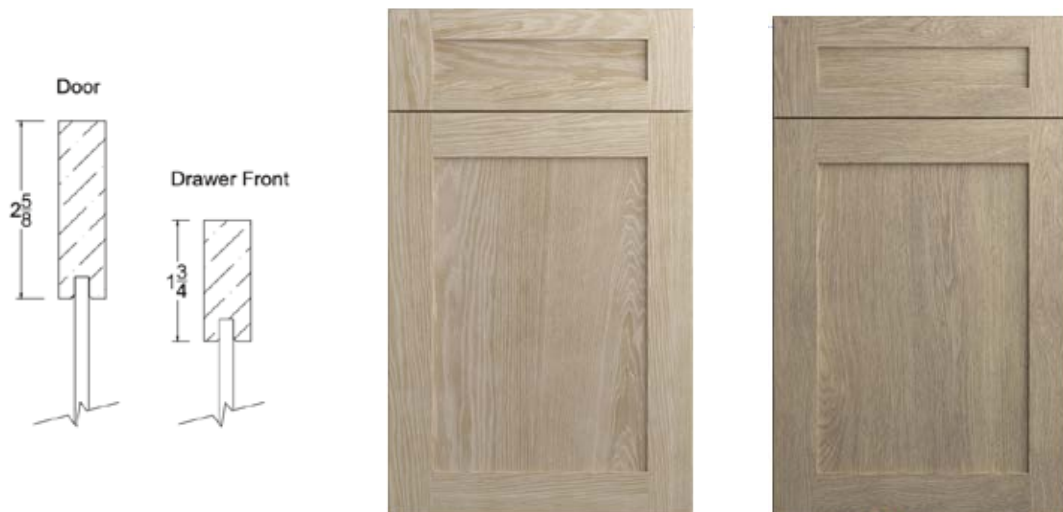
SIERRA & TALON

---

Sierra DOORSTYLE - 3" wide stile and rail,  $\frac{3}{4}$ " thick Five Piece MDF Door & Drawer Front with Reversed Raised Center panel - available in three solid colors, Winter White, Glacier Grey and Bermuda Blue.



Talon DOORSTYLE - 2 5/8" Wide stile & rail,  $\frac{3}{4}$ " thick 5 piece French Oak door with a 5mm thick veneer panel - available in 2 colors, Lumos (light brown) French White Oak look and Nova (medium brown) French Oak.



Lumos

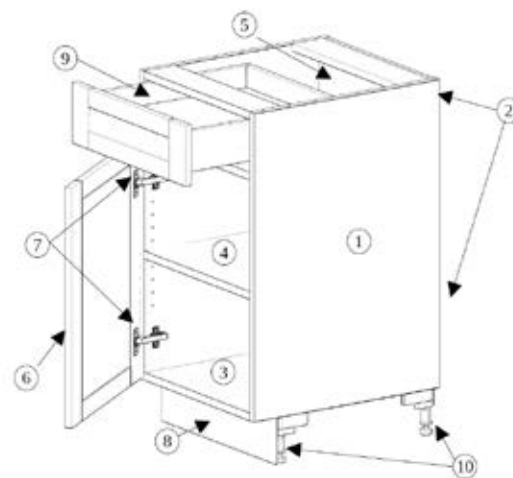
Nova

# CABINET MATERIALS

MONOGRAM HOME®

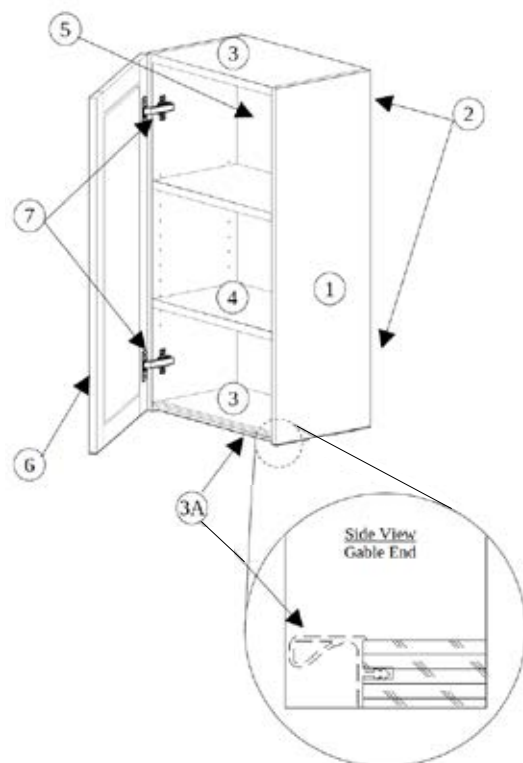
## BASE CABINET

- 1) Side Panels 3/4" nominal (18mm) Birch veneer plywood Int/Ext
- 2) Stretchers 3/4" nominal (18mm) Birch veneer plywood Int/Ext
- 3) Bottom 3/4" nominal (18mm) Birch veneer plywood Int/Ext
- 4) Shelf Full depth 3/4" nominal (18mm) Birch veneer plywood Int/Ext
- 5) Back panel 1/2" plywood recessed 1/8"
- 6) Door Panel
- 7) Hinge Six-way adjustable with integrated soft-close
- 8) Toe Kick in 3/4" thick x 4-1/2" height (sold seperatley)
- 9) Drawer box 5/8" solid wood, Fully captured 3/8" bottom, Guide undermount soft-close full extension
- 10) Adjustable Legs



## WALL CABINET

- 1) Side Panels 3/4" nominal (18mm) Birch veneer plywood Int/Ext
- 2) Stretchers 3/4" nominal (18mm) Birch veneer plywood Int/Ext
- 3) Bottom/Top 3/4" nominal (18mm) Birch veneer plywood Int/Ext
- A) Bottom panel features a "Handle-free aluminum pull"
- 4) Shelf Full depth 3/4" nominal (18mm) Birch veneer plywood Int/Ext
- 5) Back panel 1/2" plywood recessed 1/8"
- 6) Door Panel
- 7) Hinge Six-way adjustable soft-close



# CABINET SPECIFICATIONS

MONOGRAM HOME®

## HINGE HOLE DISTANCE

FROM EDGE DOOR:

- 12" High Door - 2-1/2" top and bottom
- 15" High Door - 3-1/2" top and bottom
- 18" High Door - 3-1/2" top and bottom
- 24" High Door - 4" top and bottom
- 30" High Door - 4" top and bottom
- 36" High Door - 4" top and bottom + centered hinge [3 hinges]
- 42" High Door - 4" top and bottom + centered hinge [3 hinges]

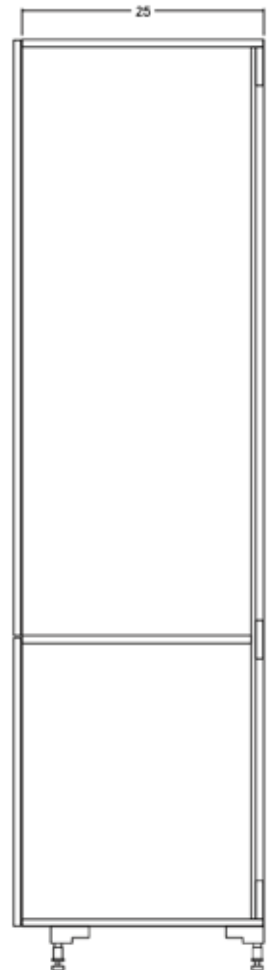
## WALL CABINETS

ADJUSTABLE SHELF QUANTITY:

- 12" High - No Shelf
- 15" High - No Shelf
- 18" High - No Shelf
- 21" High - No Shelf
- 24" High - 1 Shelf
- 30" High - 2 Shelves
- 36" High - 3 Shelves
- 42" High - 3 Shelves

WALL

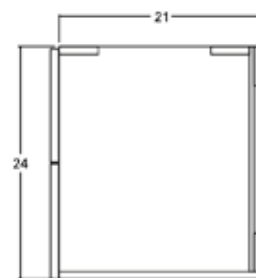
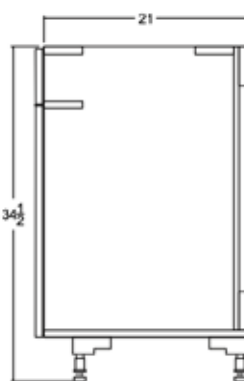
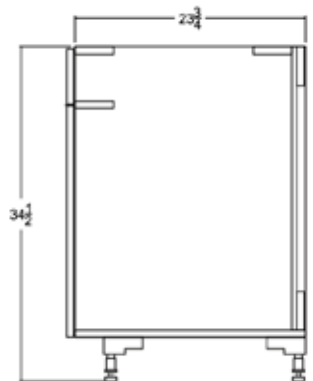
PANTRY



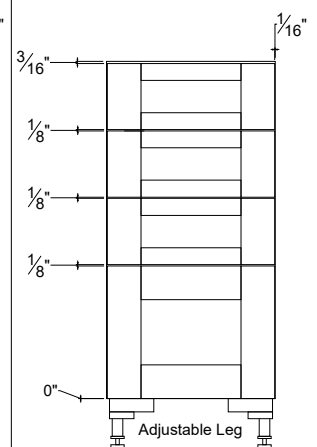
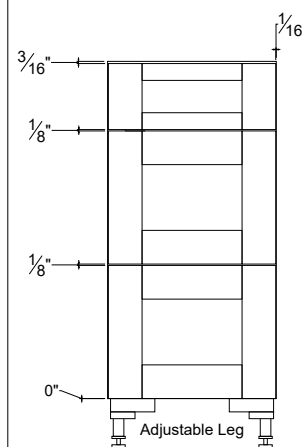
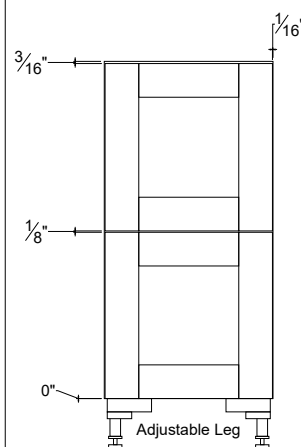
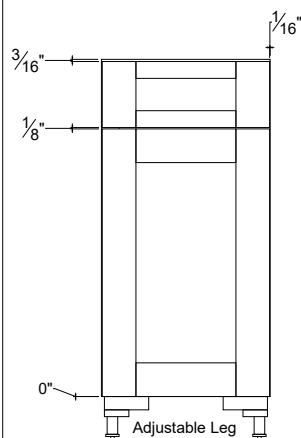
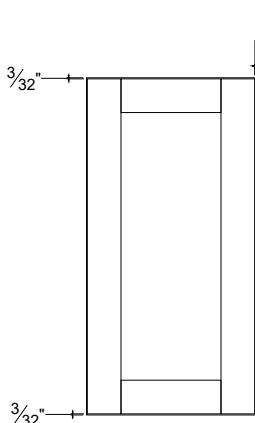
BASE

VANITY

ELEVATED



## CABINET REVEALS



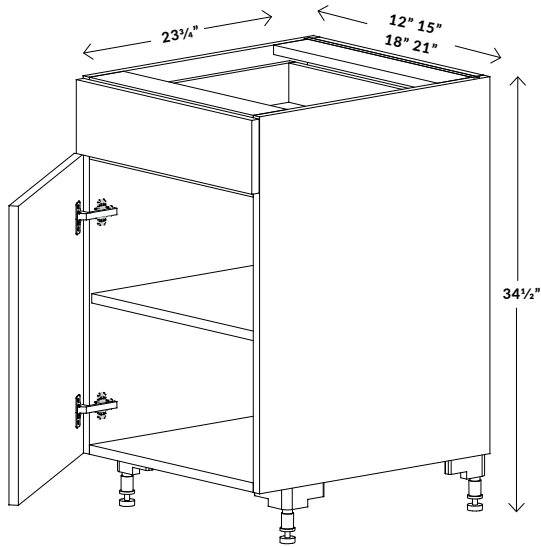
## Monogram Home - BASE CABINETS

### BASE

#### SINGLE DOOR | SINGLE DRAWER

34½" H 23¾" D

SHOWN: B21L



B12L	Base 12 1 Door 1 Drawer
B12R	Base 12 1 Door 1 Drawer
B15L	Base 15 1 Door 1 Drawer
B15R	Base 15 1 Door 1 Drawer
B18L	Base 18 1 Door 1 Drawer
B18R	Base 18 1 Door 1 Drawer
B21L	Base 21 1 Door 1 Drawer
B21R	Base 21 1 Door 1 Drawer

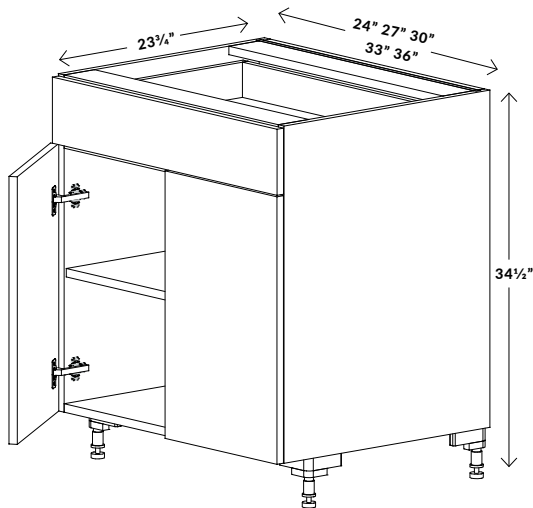
AVAILABLE WIDTHS: 12" - 21"

### BASE

#### DOUBLE DOOR | SINGLE DRAWER

34½" H 23¾" D

SHOWN: B30

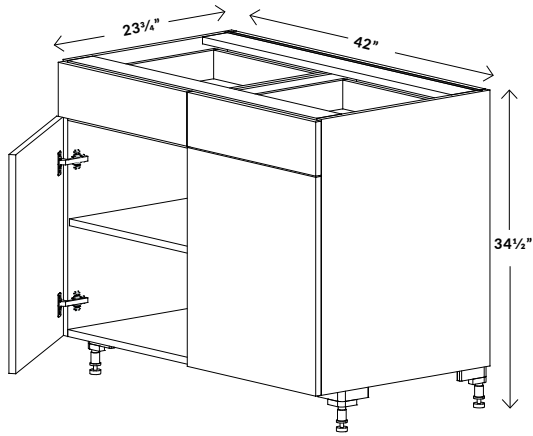


B24-2	Base 24 2 Doors 1 Drawer
B27	Base 27 2 Doors 1 Drawer
B30	Base 30 2 Doors 1 Drawer
B33	Base 33 2 Doors 1 Drawer
B36	Base 36 2 Doors 1 Drawer

AVAILABLE WIDTHS: 24" - 36"



**BASE**  
**DOUBLE DOOR | DOUBLE DRAWER**  
**34½" H 23¾" D**



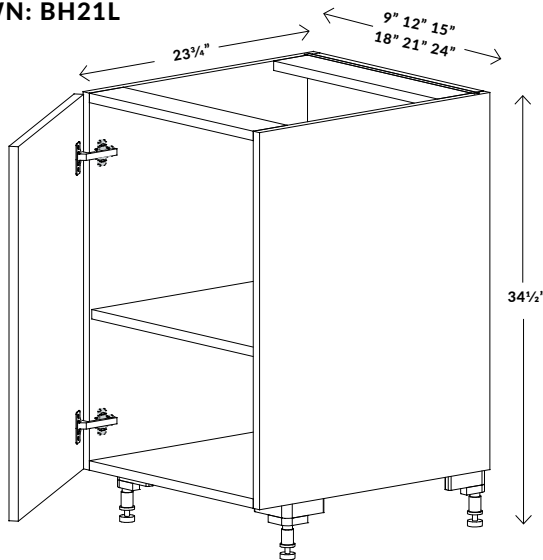
B42	Base 42 2 Doors 2 Drawers
-----	---------------------------

**AVAILABLE WIDTH: 42"**

---

**BASE**  
**SINGLE FULL HEIGHT DOOR**  
**34½" H 23¾" D**

SHOWN: BH21L



BH09L	Base Full Height 9 - 1 Door
BH09R	Base Full Height 9 - 1 Door
BH12L	Base Full Height 12 - 1 Door
BH12R	Base Full Height 12 - 1 Door
BH15L	Base Full Height 15 - 1 Door
BH15R	Base Full Height 15 - 1 Door
BH18L	Base Full Height 18 - 1 Door
BH18R	Base Full Height 18 - 1 Door
BH21L	Base Full Height 21 - 1 Door
BH21R	Base Full Height 21 - 1 Door
BH24L	Base Full Height 24 - 1 Door
BH24R	Base Full Height 24 - 1 Door

**AVAILABLE WIDTHS: 9" - 24"**

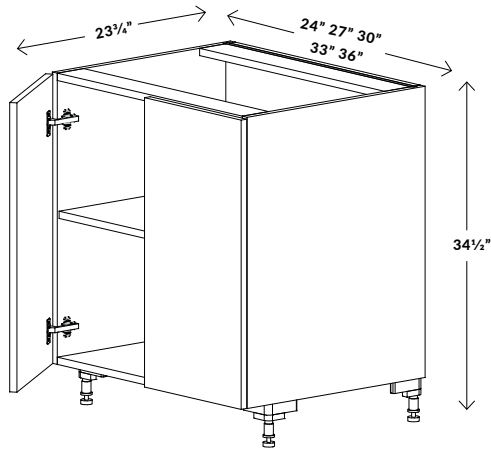
---

**BASE**

**DOUBLE FULL HEIGHT DOOR**

**34½" H 23¾" D**

**SHOWN: BH30**



BH24-2	Base Full Height 24 - 2 Door
BH27	Base Full Height 27 - 2 Door
BH30	Base Full Height 30 - 2 Door
BH33	Base Full Height 33 - 2 Door
BH36	Base Full Height 36 - 2 Door

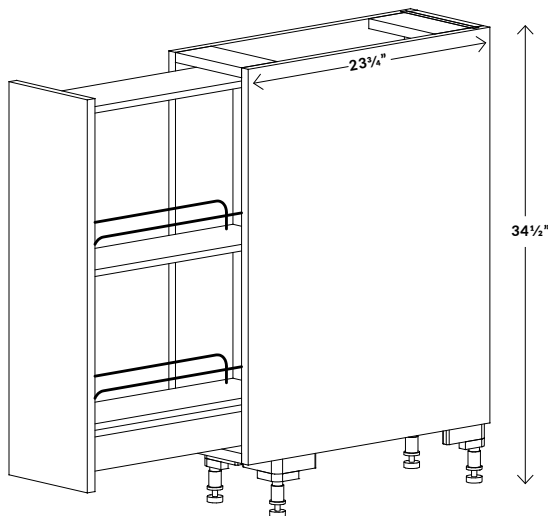
**AVAILABLE WIDTHS: 24" - 36"**

---

**BASE**

**FHD W/SPICE PULL OUT**

**34½" H 23¾" D**



BSR09	Base FHD w/Spice Pullout
-------	--------------------------

**AVAILABLE WIDTH: 9"**

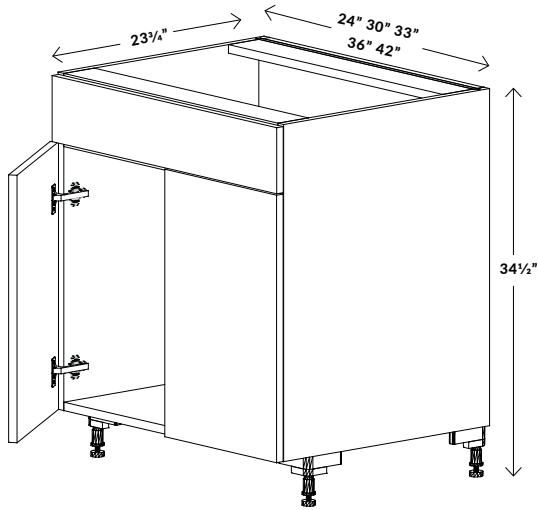
---

**BASE**

**SINK DOUBLE DOOR SINGLE FALSE FRONT**

**34½" H 23¾" D**

SHOWN: SB30



SB24-2	Sink Base 24 2 Doors 1 False Front
SB30	Sink Base 30 2 Doors 1 False Front
SB33	Sink Base 33 2 Doors 1 False Front
SB36	Sink Base 36 2 Doors 1 False Front
SB42	Sink Base 42 2 Doors 1 False Front

**AVAILABLE WIDTHS: 24" - 42"**

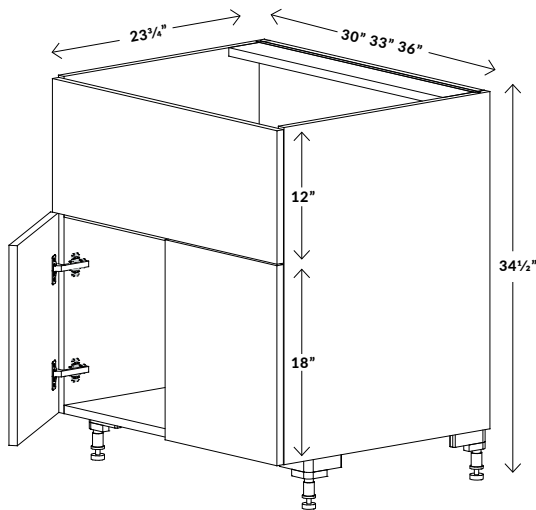
**No Shelf**

**BASE**

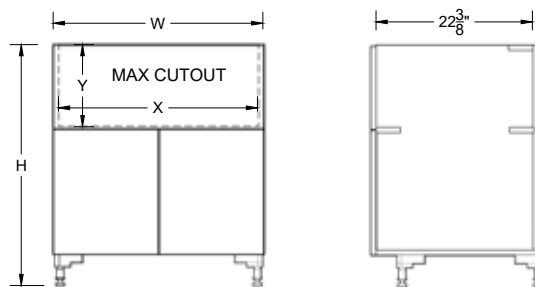
**FARM SINK BASE DOUBLE DOOR**

**34½" H 23¾" D**

SHOWN: FSB30



FSB30	Farm Sink Base 30 2 Doors
FSB33	Farm Sink Base 33 2 Doors
FSB36	Farm Sink Base 36 2 Doors



FSB				
SKU	W	H	X	Y
FSB30	30	34 1/2	28.50	11.75
FSB33	33	34 1/2	31.50	11.75
FSB36	36	34 1/2	34.50	11.75

**AVAILABLE WIDTHS: 30" - 36"**

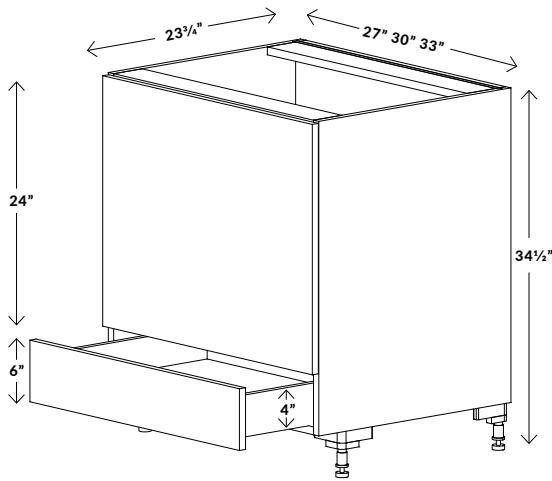
**Metal Clip Top Pane**

## BASE

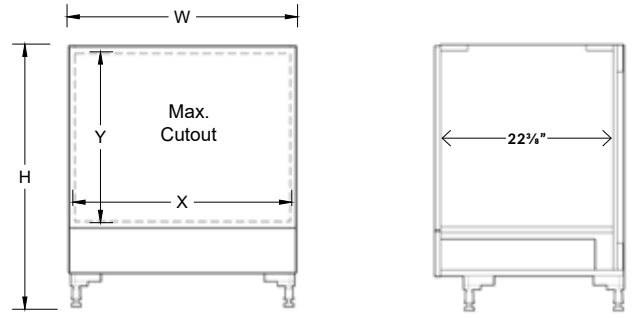
### MICROWAVE SINGLE DRAWER

34½" H 23¾" D

SHOWN: BMW30



BMW27	Base Microwave 27 1 Drawer
BMW30	Base Microwave 30 1 Drawer
BMW33	Base Microwave 33 1 Drawer



BMW				
SKU	W	H	X	Y
BMW27	27	34½	25.50	22.25
BMW30	30	34½	28.50	22.25
BMW33	33	34½	31.50	22.25

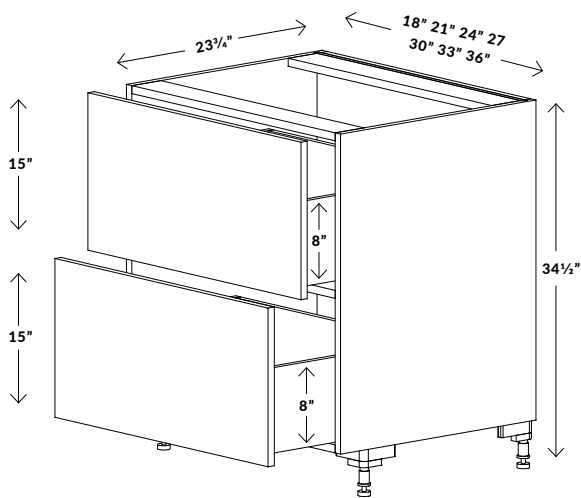
AVAILABLE WIDTHS: 27" - 33"

Keku Clip Top Panel  
Bottom Drawer Box Height 4"

### DRAWER BASE 2 DRAWER

34½" H 23¾" D

SHOWN: 2DB30



2DB18	Drawer Base 18 2 Drawers
2DB21	Drawer Base 21 2 Drawers
2DB24	Drawer Base 24 2 Drawers
2DB27	Drawer Base 27 2 Drawers
2DB30	Drawer Base 30 2 Drawers
2DB33	Drawer Base 33 2 Drawers
2DB36	Drawer Base 36 2 Drawers

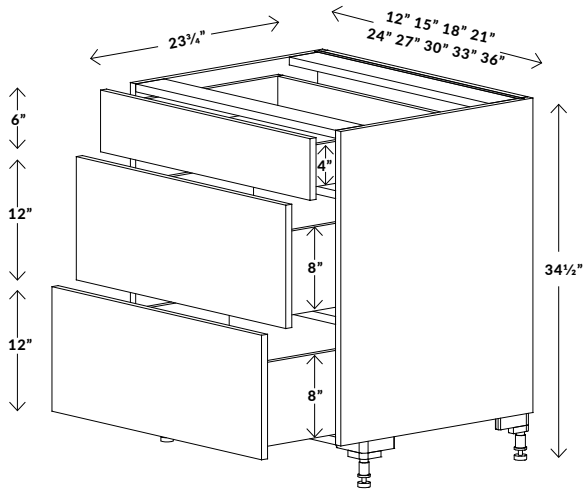
AVAILABLE WIDTHS: 18" - 36"

Drawer Box Height 8"

## DRAWER BASE 3 DRAWER

34½" H 23¾" D

SHOWN: 3DB30



3DB12	Drawer Base 12 3 Drawers
3DB15	Drawer Base 15 3 Drawers
3DB18	Drawer Base 18 3 Drawers
3DB21	Drawer Base 21 3 Drawers
3DB24	Drawer Base 24 3 Drawers
3DB27	Drawer Base 27 3 Drawers
3DB30	Drawer Base 30 3 Drawers
3DB33	Drawer Base 33 3 Drawers
3DB36	Drawer Base 36 3 Drawers

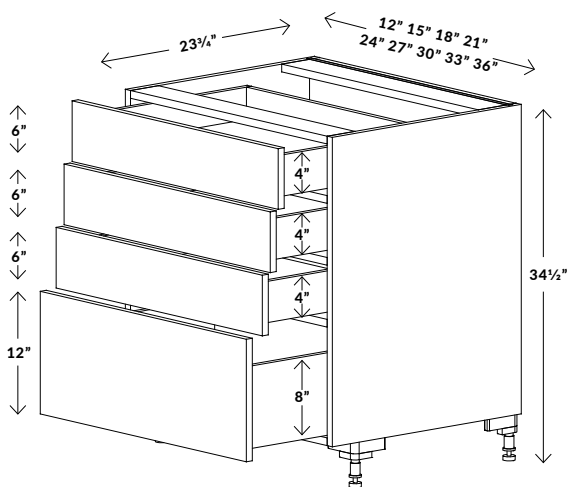
AVAILABLE WIDTHS: 12" - 36"

Top Drawer Box Height 4"  
Middle & Bottom Drawer Box Height 8"

## DRAWER BASE 4 DRAWER

34½" H 23¾" D

SHOWN: 4DB30



4DB12	Drawer Base 12 4 Drawers
4DB15	Drawer Base 15 4 Drawers
4DB18	Drawer Base 18 4 Drawers
4DB21	Drawer Base 21 4 Drawers
4DB24	Drawer Base 24 4 Drawers
4DB27	Drawer Base 27 4 Drawers
4DB30	Drawer Base 30 4 Drawers
4DB33	Drawer Base 33 4 Drawers
4DB36	Drawer Base 36 4 Drawers

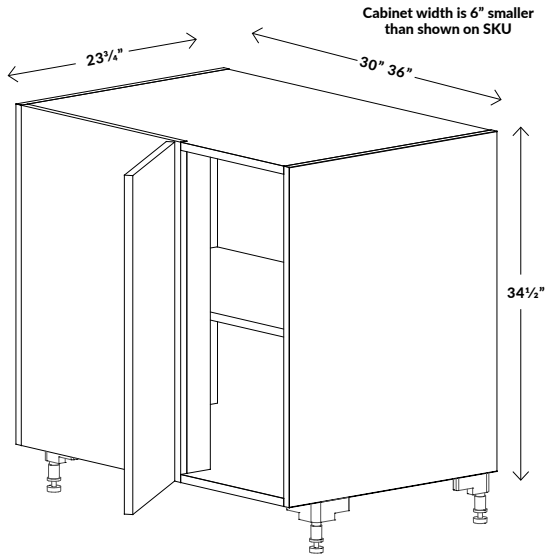
AVAILABLE WIDTHS: 12" - 36"

Top 3 Drawer Box Heights 4"  
Bottom Drawer Box Height 8"

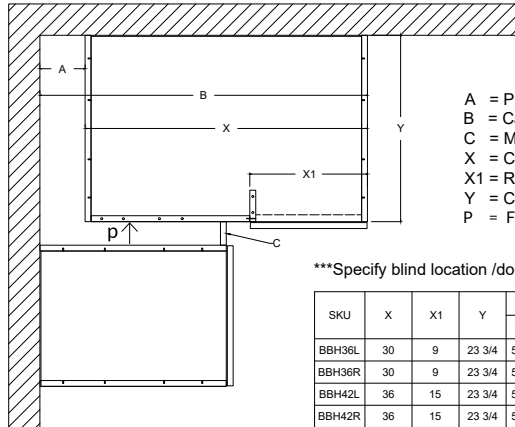
# BLIND BASE SINGLE DOOR

34½" H 23¾" D

SHOWN: BBH42L



BBH36L	Blind Base 36 1 Door
BBH36R	Blind Base 36 1 Door
BBH42L	Blind Base 42 1 Door
BBH42R	Blind Base 42 1 Door



- A = Pull distance from wall
- B = Cabinet distance from wall
- C = Minimum filler width
- X = Cabinet width
- X1 = Replacement cabinet width
- Y = Cabinet depth
- P = Finished Panel

\*\*\*Specify blind location /door swing with either L or R\*\*\*

SKU	X	X1	Y	A		B		C	
				Min	Max	Min	Max	Min	Max
BBH36L	30	9	23 3/4	5 3/4	11 3/4	35 3/4	41 3/4	3	9
BBH36R	30	9	23 3/4	5 3/4	11 3/4	35 3/4	41 3/4	3	9
BBH42L	36	15	23 3/4	5 3/4	11 3/4	41 3/4	47 3/4	3	9
BBH42R	36	15	23 3/4	5 3/4	11 3/4	41 3/4	47 3/4	3	9

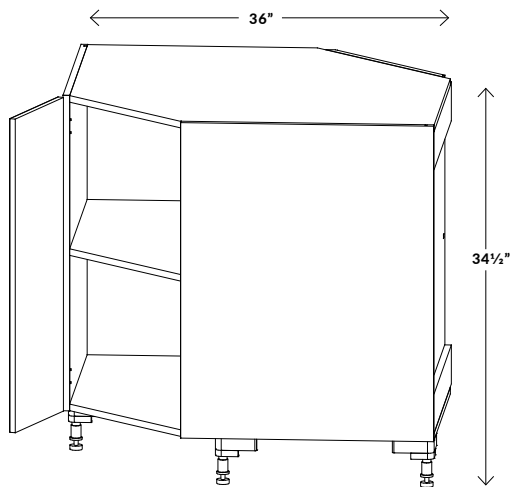
BBH36 - Door Dimension: 9 x 30  
 BBH42 - Door Dimension: 15 x 30

**Specify L or R for Blind Panel Location**  
**If L is Specified, Door Will Open on the Left**  
**If R is Specified, Door Will Open on the Right**  
**Panel is Made with Same Finish as Door**  
**Requires Filler, Sold Separately**

AVAILABLE WIDTHS: 36" - 42"

# BASE CORNER DIAGONAL SINK

34½" H 23¾" D



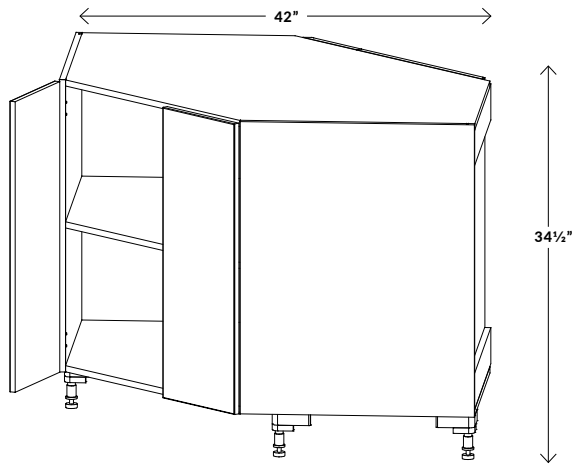
BCD36L	Base Corner Diagonal Sink
BCD36R	Base Corner Diagonal Sink

AVAILABLE WIDTH: 36"

**DOOR DIMENSION: 16-3/8" X 30"**  
**CABINET CONTAINS ONE ADJUSTABLE SHELF**

**BASE CORNER DIAGONAL SINK DOUBLE DRAWER FRONT**

**34½" H 23¾" D**



BCD42	Base Corner Sink Diagonal 42 2 Door
-------	--

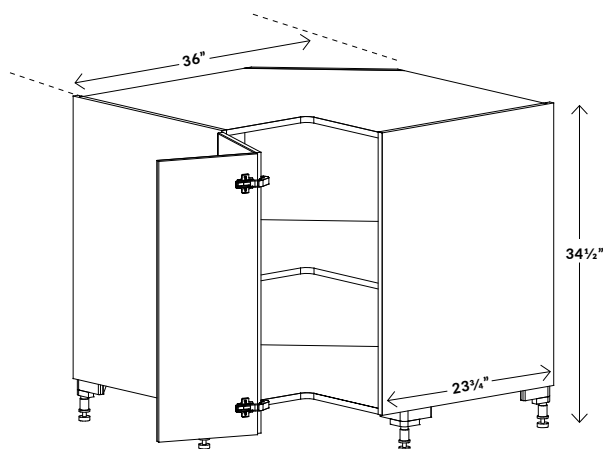
**AVAILABLE WIDTH: 42"**

**DOOR DIMENSION 1: 12-3/8" X 30"**  
**DOOR DIMENSION 2: 12-3/8" X 30"**  
**CABINET CONTAINS ONE ADJUSTABLE SHELF**

**BASE CORNER  
CORNER BIFOLD DOORS**

**34½" H 23¾" D**

**SHOWN: BCC36**

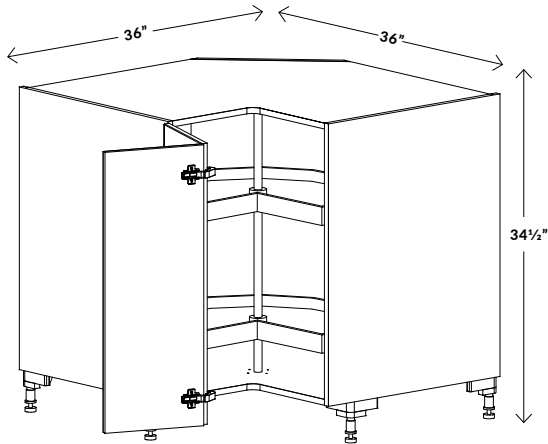


BCC33L	Base Corner Corner 33 2 Doors
BCC33R	Base Corner Corner 33 2 Doors
BCC36L	Base Corner Corner 36 2 Doors
BCC36R	Base Corner Corner 36 2 Doors

**AVAILABLE WIDTHS: 33" - 36"**

**BCC33 - DOOR DIMENSION 1: 8-1/4" X 30"**  
**BCC33 - DOOR DIMENSION 2: 8-1/4" X 30"**  
**BCC36 - DOOR DIMENSION 1: 11-1/4" X 30"**  
**BCC36 - DOOR DIMENSION 2: 11-1/4" X 30"**

**BASE CORNER 90° W/ LAZY SUSAN**  
**34½" H 23¾" D**



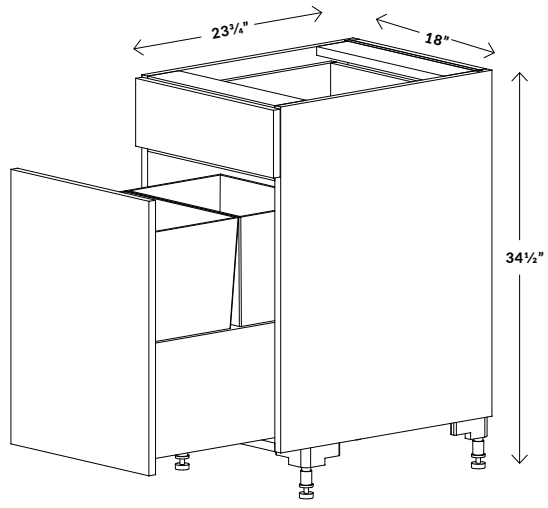
BCLS36L	Base Corner Lazy Susan 36 2 Doors
BCLS36R	Base Corner Lazy Susan 36 2 Doors

BCLS36 - Door Dimension 1: 11-1/4" x 30"  
 Door Dimension 2: 11-1/4" x 30"

**AVAILABLE WIDTH: 36"**

**PLASTIC LAZY SUSAN INCLUDED**

**BASE DOUBLE 35QT WASTE BASKET**  
**34½" H 23¾" D**



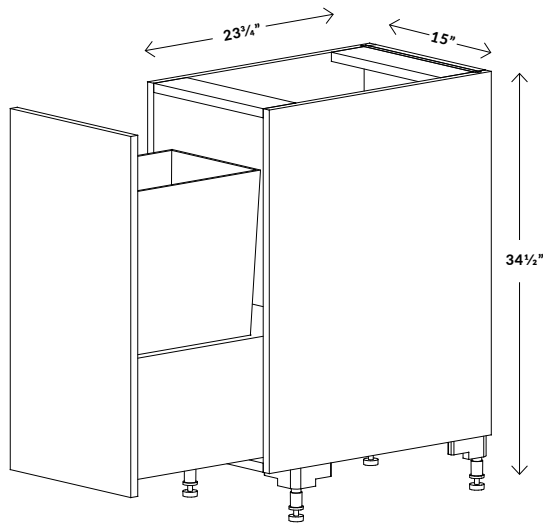
BWB18



**AVAILABLE WIDTH: 18"**



**BASE FULL HEIGHT 50 QT WASTE BASKET**  
**34½" H 23¾" D**

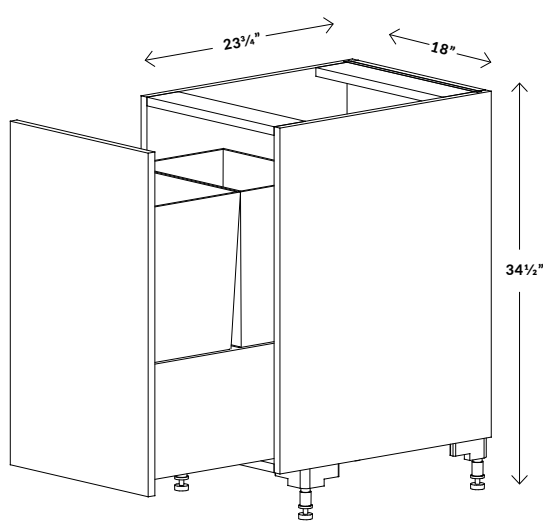


BHWP15



**AVAILABLE WIDTHS: 15"**

**BASE FULL HEIGHT DOUBLE 50QT WASTE BASKET**  
**34½" H 23¾" D**



BHWP18



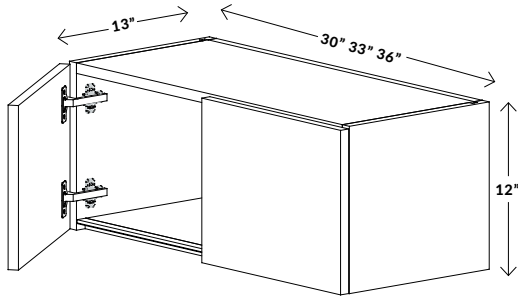
**AVAILABLE WIDTHS: 18"**

## WALL CABINETS

### 12" WALL DOUBLE DOORS

12" H 13" D

SHOWN: W3012



W3012	Wall 30x12 2 Doors
W3312	Wall 33x12 2 Doors
W3612	Wall 36x12 2 Doors

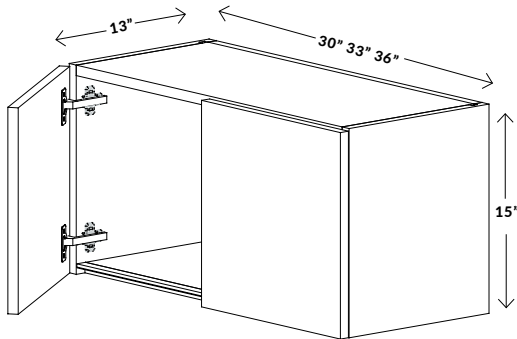
AVAILABLE WIDTHS: 30" - 36"

Double Doors  
No Shelves Included

### 15" WALL DOUBLE DOORS

15" H 13" D

SHOWN: W3015



W3015	Wall 30x15 2 Doors
W3315	Wall 33x15 2 Doors
W3615	Wall 36x15 2 Doors

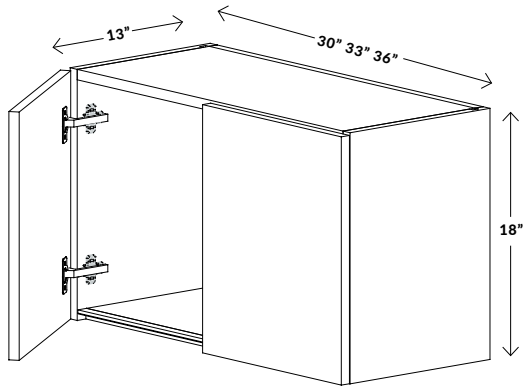
AVAILABLE WIDTHS: 30" - 36"

Double Doors  
No Shelves Included

## 18" WALL DOUBLE DOORS

18" H 13" D

SHOWN: W3018



W3018	Wall 30x18 2 Doors
W3318	Wall 33x18 2 Doors
W3618	Wall 36x18 2 Doors

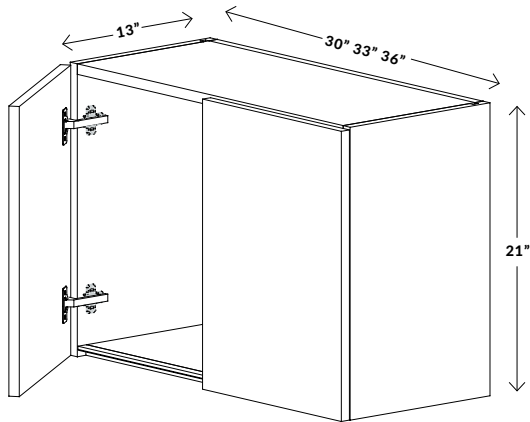
AVAILABLE WIDTHS: 30" - 36"

Double Doors  
No Shelf

## 21" WALL DOUBLE DOORS

21" H 13" D

SHOWN: W3021



W3021	Wall 30x21 2 Doors
W3321	Wall 33x21 2 Doors
W3621	Wall 36x21 2 Doors

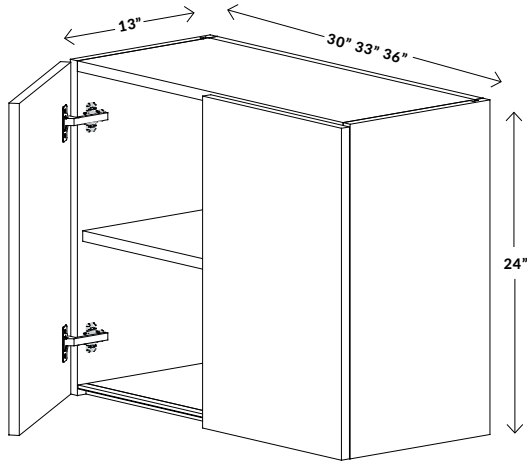
AVAILABLE WIDTHS: 30" - 36"

Double Doors  
No Shelf

## 24" WALL DOUBLE DOORS

24" H 13" D

SHOWN: W3024



W3024	Wall 30x24 2 Doors
W3324	Wall 33x24 2 Doors
W3624	Wall 36x24 2 Doors

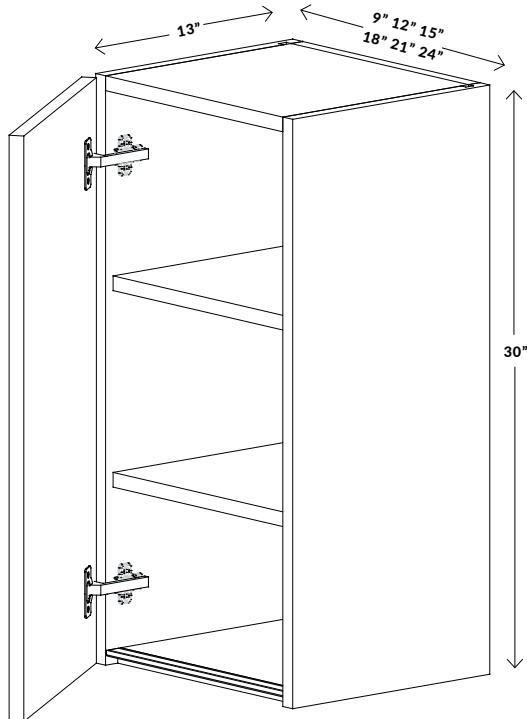
AVAILABLE WIDTHS: 30" - 36"

Double Doors  
Comes with One Shelf

## 30" WALL SINGLE DOOR

30" H 13" D

SHOWN: W1530L



W0930L	Wall 9x30 1 Door
W0930R	Wall 9x30 1 Door
W1230L	Wall 12x30 1 Door
W1230R	Wall 12x30 1 Door
W1530L	Wall 15x30 1 Door
W1530R	Wall 15x30 1 Door
W1830L	Wall 18x30 1 Door
W1830R	Wall 18x30 1 Door
W2130L	Wall 21x30 1 Door
W2130R	Wall 21x30 1 Door
W2430L	Wall 24x30 1 Door
W2430R	Wall 24x30 1 Door

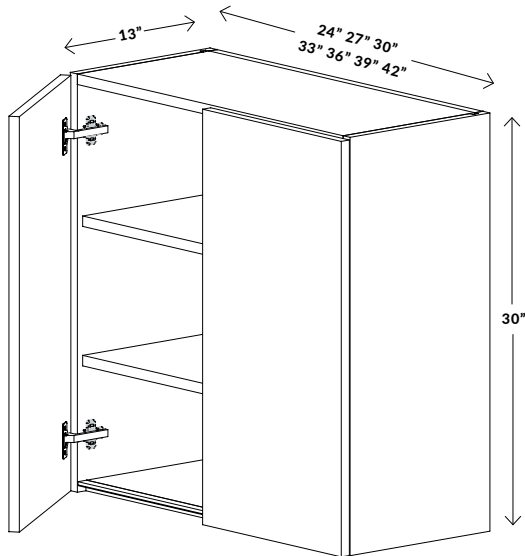
AVAILABLE WIDTHS: 9" - 24"

Specify L or R  
Single Door  
Comes with Two Shelves  
Route For Glass Available

### 30" WALL DOUBLE DOORS

30" H 13" D

SHOWN: W3030



W2430-2	Wall 24x30 2 Doors
W2730	Wall 27x30 2 Doors
W3030	Wall 30x30 2 Doors
W3330	Wall 33x30 2 Doors
W3630	Wall 36x30 2 Doors
W3930	Wall 39x30 2 Doors
W4230	Wall 42x30 2 Doors

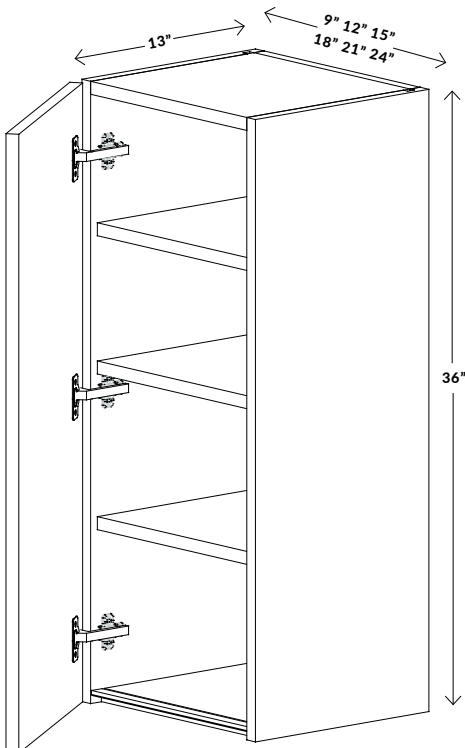
AVAILABLE WIDTHS: 24" - 42"

Double Doors  
Comes with Two Shelf  
Route For Glass Available

### 36" WALL SINGLE DOOR

36" H 13" D

SHOWN: W1536L



W0936L	Wall 9x36 1 Door
W0936R	Wall 9x36 1 Door
W1236L	Wall 12x36 1 Door
W1236R	Wall 12x36 1 Door
W1536L	Wall 15x36 1 Door
W1536R	Wall 15x36 1 Door
W1836L	Wall 18x36 1 Door
W1836R	Wall 18x36 1 Door
W2136L	Wall 21x36 1 Door
W2136R	Wall 21x36 1 Door
W2436L	Wall 24x36 1 Door
W2436R	Wall 24x36 1 Door

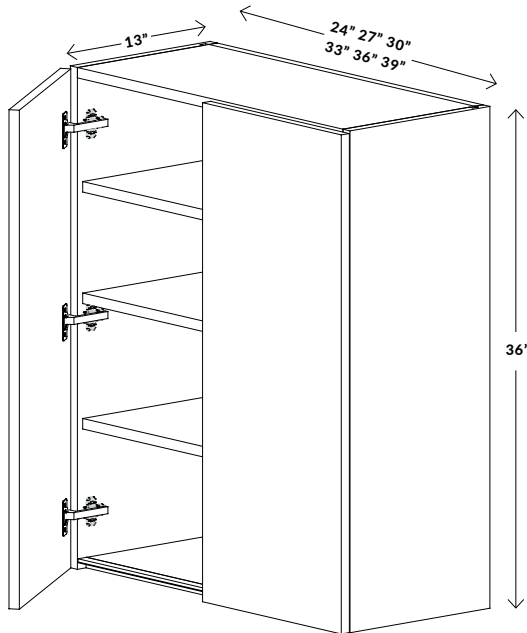
AVAILABLE WIDTHS: 9" - 24"

Specify L or R  
Single Door  
Comes with Three Shelves  
Each Door has Three Hinges  
Route For Glass Available

## 36" WALL DOUBLE DOORS

36" H 13" D

SHOWN: W3036



W2436-2	Wall 24x36 2 Doors
W2736	Wall 27x36 2 Doors
W3036	Wall 30x36 2 Doors
W3336	Wall 33x36 2 Doors
W3636	Wall 36x36 2 Doors
W3936	Wall 39x36 2 Doors

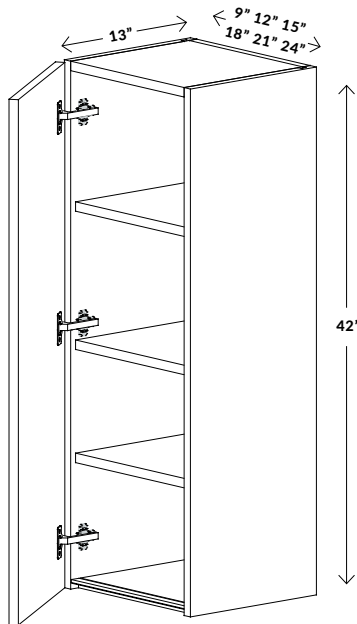
AVAILABLE WIDTHS: 24" - 39"

Double Doors  
Comes with Three Shelves  
Each Door has Three Hinges  
Route For Glass Available

## 42" WALL SINGLE DOOR

42" H 13" D

SHOWN: W1542L



W0942L	Wall 9x42 1 Door
W0942R	Wall 9x42 1 Door
W1242L	Wall 12x42 1 Door
W1242R	Wall 12x42 1 Door
W1542L	Wall 15x42 1 Door
W1542R	Wall 15x42 1 Door
W1842L	Wall 18x42 1 Door
W1842R	Wall 18x42 1 Door
W2142L	Wall 21x42 1 Door
W2142R	Wall 21x42 1 Door
W2442L	Wall 24x42 1 Door
W2442R	Wall 24x42 1 Door

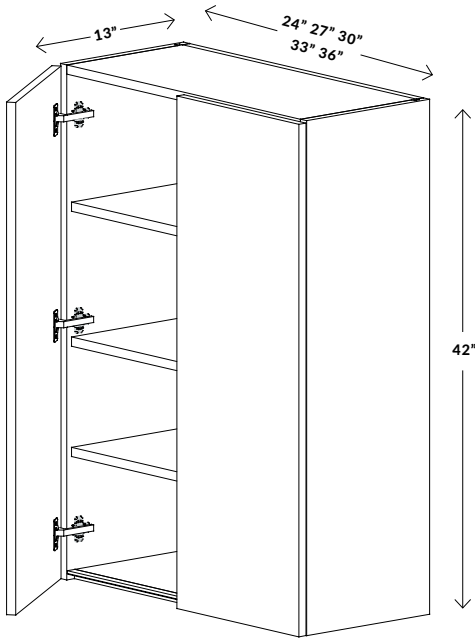
AVAILABLE WIDTHS: 9" - 24"

Specify L or R  
Single Door  
Comes with Three Shelves  
Each Door has Three Hinges  
Route For Glass Available

## 42" WALL DOUBLE DOORS

42" H 13" D

SHOWN: W3042



W2442-2	Wall 24x42 2 Doors
W2742	Wall 27x42 2 Doors
W3042	Wall 30x42 2 Doors
W3342	Wall 33x42 2 Doors
W3642	Wall 36x42 2 Doors

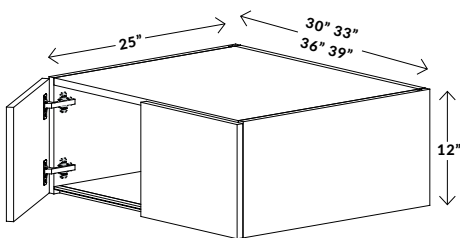
AVAILABLE WIDTHS: 24" - 36"

Double Doors  
Comes with Three Shelves  
Each Door has Three Hinges  
Route For Glass Available

## 12" WALL DOUBLE DOORS - REFRIGERATOR WALL

12" H 25" D

SHOWN: W301225



W301225	Wall 2 Doors
W331225	Wall 2 Doors
W361225	Wall 2 Doors
W391225	Wall 2 Doors

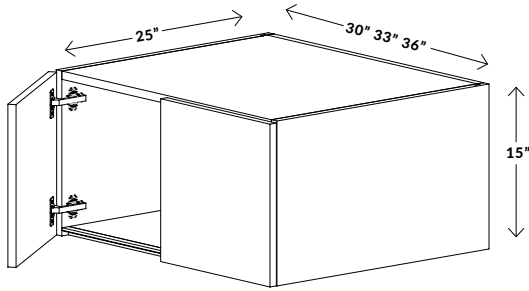
AVAILABLE WIDTHS: 30" - 39"

Double Doors  
No Shelf

## 15" WALL DOUBLE DOORS - REFRIGERATOR WALL

15" H 25" D

SHOWN: W301525



W301525	Wall 2 Doors
W331525	Wall 2 Doors
W361525	Wall 2 Doors

AVAILABLE WIDTHS: 30" - 36"

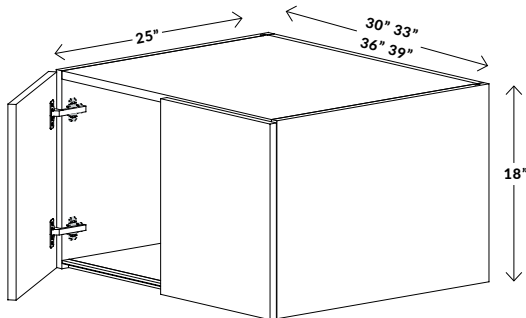
Double Doors  
No Shelf

---

## 18" WALL DOUBLE DOORS - REFRIGERATOR WALL

18" H 25" D

SHOWN: W3018525



W301825	Wall 2 Doors
W331825	Wall 2 Doors
W361825	Wall 2 Doors
W391825	Wall 2 Doors

AVAILABLE WIDTHS: 30" - 39"

Double Doors  
No Shelf

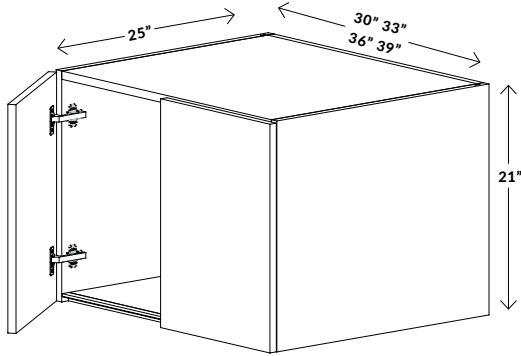
---



**21" WALL DOUBLE DOORS - REFRIGERATOR WALL**

**21" H 25" D**

SHOWN: W302125



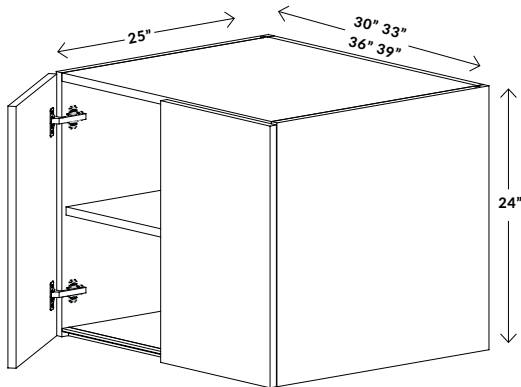
W302125	Wall 2 Doors
W332125	Wall 2 Doors
W362125	Wall 2 Doors
W392125	Wall 2 Doors

**AVAILABLE WIDTHS: 30" - 39"**

**Double Doors  
No Shelf**

**24" WALL DOUBLE DOORS - REFRIGERATOR WALL**

**24" H 25" D**



W302425	Wall 2 Doors
W332425	Wall 2 Doors
W362425	Wall 2 Doors
W392425	Wall 2 Doors

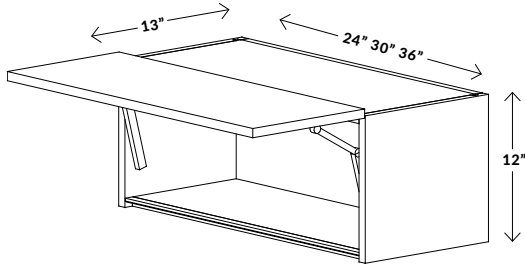
**AVAILABLE WIDTHS: 30" - 39"**

**Double Doors  
1 Adjustable Shelf**

## 12" WALL TOP HINGE SINGLE HORIZONTAL DOOR

12" H 13" D

SHOWN: WTH3012



WTH2412	Wall Top Hinge 24x12 1 Horizontal Doors
WTH3012	Wall Top Hinge 30x12 1 Horizontal Doors
WTH3612	Wall Top Hinge 36x12 1 Horizontal Doors

BLUM AVENTOS



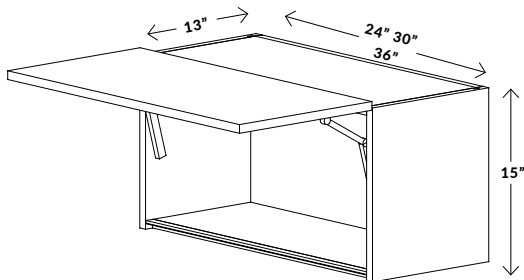
Single Horizontal Door  
Two Hinges on Top of the Door  
Blum Aventos Lift Up  
Blum Aventos HK Comes Standard with WTH  
Lift Up Arm Quantity Will Vary Based on Door Weight

AVAILABLE WIDTHS: 24" - 36"

## 15" WALL TOP HINGE SINGLE HORIZONTAL DOOR

15" H 13" D

SHOWN: WTH3015



WTH2415	Wall Top Hinge 24x15 1 Horizontal Doors
WTH3015	Wall Top Hinge 30x15 1 Horizontal Doors
WTH3615	Wall Top Hinge 36x15 1 Horizontal Doors

BLUM AVENTOS



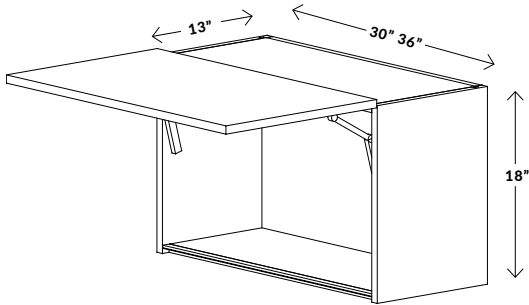
Single Horizontal Door  
Two Hinges on Top of the Door  
Blum Aventos Lift Up  
Blum Aventos HK Comes Standard with WTH  
Lift Up Arm Quantity Will Vary Based on Door Weight

AVAILABLE WIDTHS: 24" - 36"

## 18" WALL TOP HINGE SINGLE HORIZONTAL DOOR

18" H 13" D

SHOWN: WTH3018



WTH3018	Wall Top Hinge 30x18 1 Horizontal Doors
WTH3618	Wall Top Hinge 36x18 1 Horizontal Doors

BLUM AVENTOS



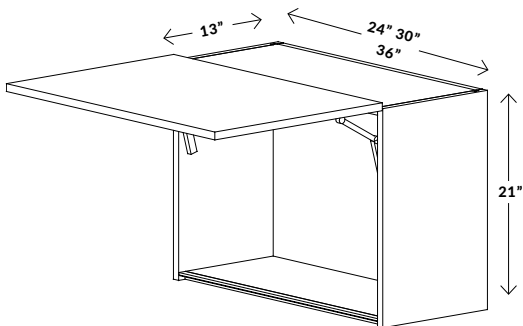
Single Horizontal Door  
Two Hinges on Top of the Door  
Blum Aventos Lift Up  
Blum Aventos HK Comes Standard with WTH  
Lift Up Arm Quantity Will Vary Based on Door Weight

AVAILABLE WIDTHS: 30" - 36"

## 21" WALL TOP HINGE SINGLE HORIZONTAL DOOR

21" H 13" D

SHOWN: WTH3021



WTH2421	Wall Top Hinge 24x21 1 Horizontal Doors
WTH3021	Wall Top Hinge 30x21 1 Horizontal Doors
WTH3621	Wall Top Hinge 36x21 1 Horizontal Doors

BLUM AVENTOS



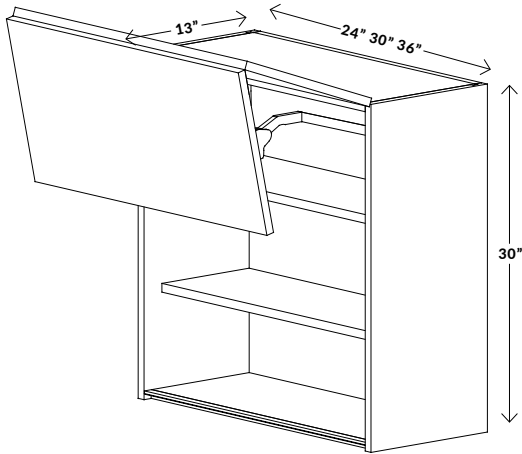
Single Horizontal Door  
Two Hinges on Top of the Door  
Blum Aventos Lift Up  
Blum Aventos HK Comes Standard with WTH  
Lift Up Arm Quantity Will Vary Based on Door Weight

AVAILABLE WIDTHS: 24" - 36"

## 30" WALL TOP HINGE DOUBLE HORIZONTAL DOORS

30" H 13" D

SHOWN: WTH2D3030



WTH2D2430	Wall Top Hinge 24x30 2 Horizontal Doors
WTH2D3030	Wall Top Hinge 30x30 2 Horizontal Doors
WTH2D3630	Wall Top Hinge 36x30 2 Horizontal Doors

BLUM AVENTOS



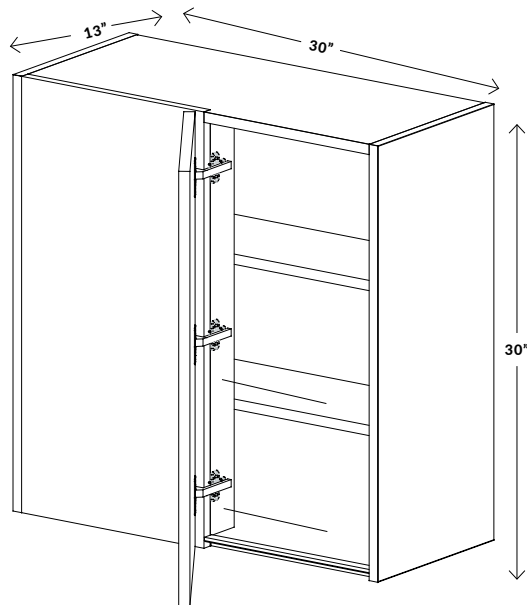
**Double Horizontal Doors**  
**Two Adjustable Shelves**  
Blum Aventos HF Comes Standard With WTH WTH2D

AVAILABLE WIDTHS: 24" - 36"

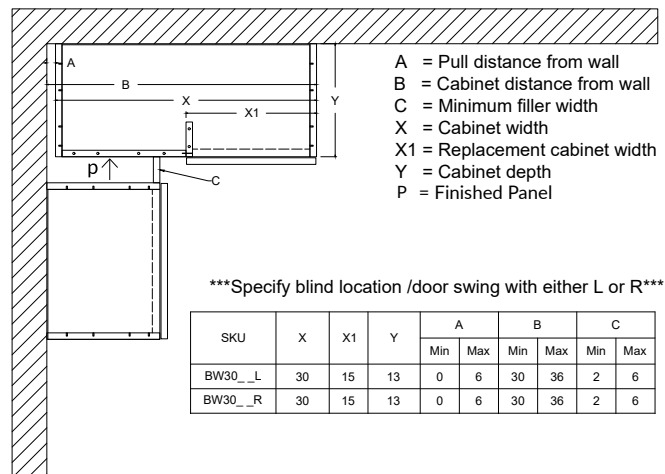
## 30" BLIND WALL SINGLE DOOR

30" H 13" D

SHOWN: BW3030L



BW3030L	Blind Wall 30x30 1 Door
BW3030R	Blind Wall 30x30 1 Door



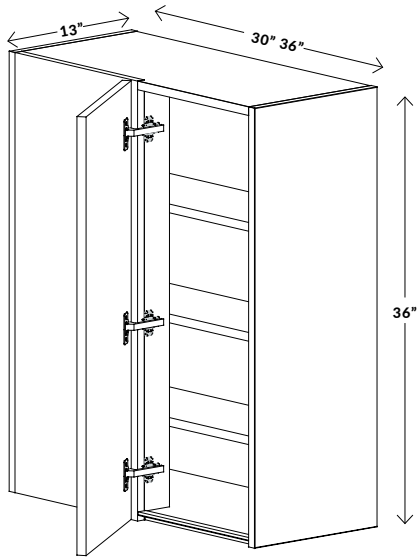
BW3030 - Door Dimension: 15" x 30"

**Single Door**  
**Comes with Two Shelves**  
**Panel To Match Door Color**  
**Route For Glass Available**  
**Requires Filler, Sold Separately**

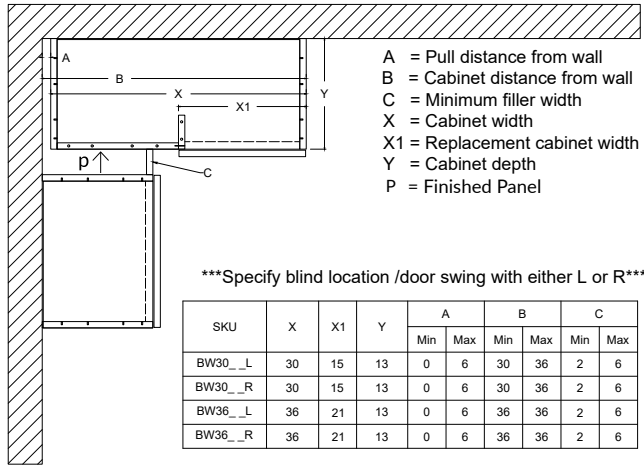
AVAILABLE WIDTH: 30"

**36" BLIND WALL SINGLE DOOR**  
**36" H 13" D**

SHOWN: BW3036L



BW3036L	Blind Wall 30x36 1 Door
BW3036R	Blind Wall 30x36 1 Door
BW3636L	Blind Wall 36x36 1 Door
BW3636R	Blind Wall 36x36 1 Door



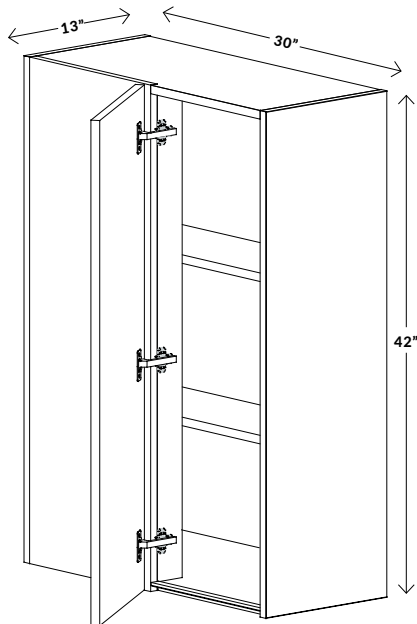
BW3036 - Door Dimension: 15" x 36"

**Single Door**  
**Comes with Three Shelves**  
**Three Hinges**  
**Panel To Match Door Color**  
**Route For Glass Available**  
**Requires Filler, Sold Separately**

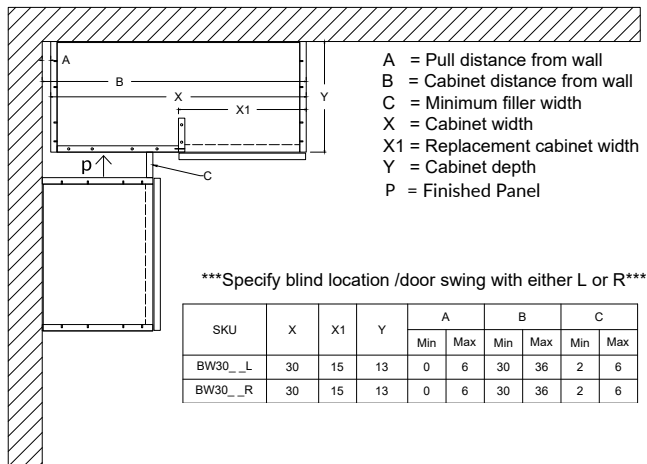
**AVAILABLE WIDTHS: 30" - 36"**

**42" BLIND WALL SINGLE DOOR**  
**42" H 13" D**

SHOWN: BW3042L



BW3042L	Blind Wall 30x42 1 Door
BW3042R	Blind Wall 30x42 1 Door



BW3042 - Door Dimension: 15" x 42"

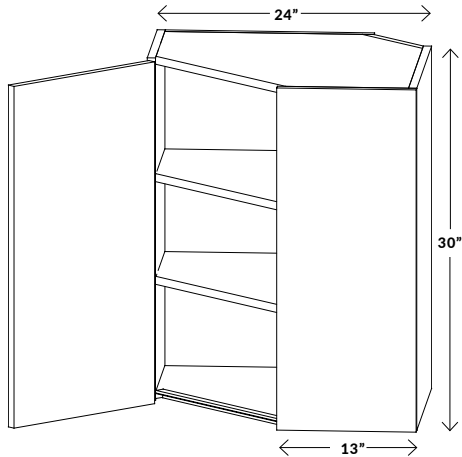
**SINGLE DOOR**  
**Comes with Three Shelves**  
**Three Hinges on Doors**  
**Panel To Match Door Color**  
**Route For Glass Available**  
**Requires Filler, Sold Separately**

**AVAILABLE WIDTH: 30"**

### 30" WALL CORNER DIAGONAL SINGLE DOOR

30" H 13" D

SHOWN: WCD2430L



WCD2430L	Wall Corner Diagonal 24x30 1 Door
WCD2430R	Wall Corner Diagonal 24x30 1 Door

DOOR DIMENSIONS		
	W	H
WCD2430L	14.5	30
WCD2430R	14.5	30

Specify L or R  
Single Door

Comes with Two Shelves

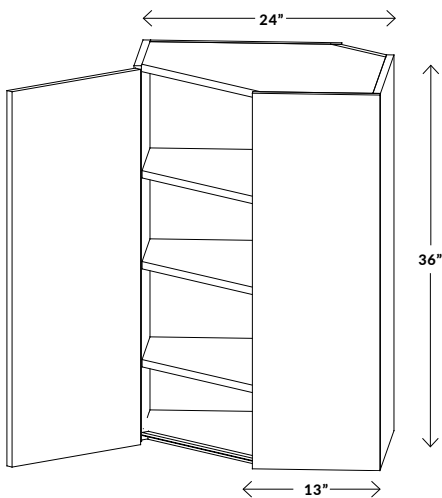
Must Use Minimum of 1" Filler on Each Side of The Cabinet  
Cabinet Depth is 13" - The Diagonal Corner Door Will Look Small  
Compared to Cabinets of 12" Depths

AVAILABLE WIDTH: 24"

### 36" WALL CORNER DIAGONAL SINGLE DOOR

36" H 13" D

SHOWN: WCD2436L



WCD2436L	Wall Corner Diagonal 24x36 1 Door
WCD2436R	Wall Corner Diagonal 24x36 1 Door

DOOR DIMENSIONS		
	W	H
WCD2436L	14.5	36
WCD2436R	14.5	36

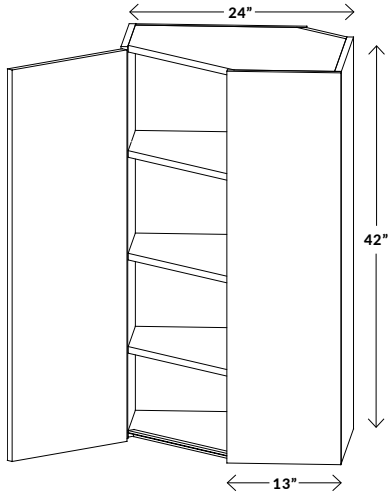
Specify L or R  
Single Door

Comes with Three Shelves  
Three Hinges on Door

Must Use Minimum of 1" Filler on Each Side of The Cabinet  
Cabinet Depth is 13" - The Diagonal Corner Door Will Look Small  
Compared to Cabinets of 12" Depths

AVAILABLE WIDTH: 24"

**42" WALL CORNER DIAGONAL SINGLE DOOR**  
**42" H 13" D**



WCD2442L	Wall Corner Diagonal 24x42 1 Door
WCD2442R	Wall Corner Diagonal 24x42 1 Door

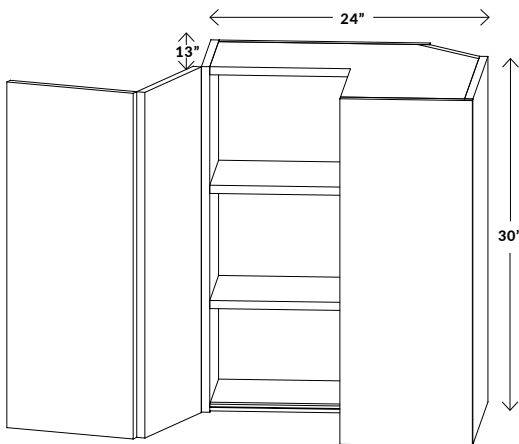
DOOR DIMENSIONS		
	W	H
WCD2442L	14.5	42
WCD2442R	14.5	42

Specify L or R  
 Single Door  
 Comes with three shelves  
 Three Hinges on Door

Must Use Minimum of 1" Filler on Each Side of The Cabinet  
 Cabinet Depth is 13" - The Diagonal Corner Door Will Look Small Compared  
 to Cabinets of 12" Depths

**AVAILABLE WIDTH: 24"**

**30" WALL CORNER  
 CORNER DOUBLE DOORS**  
**30" H 13" D**



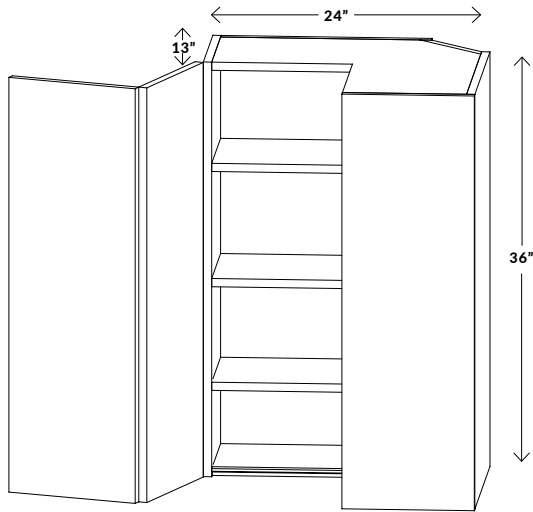
WCC2430L	Wall Corner Corner 24x30 2 Doors
WCC2430R	Wall Corner Corner 24x30 2 Doors

DOOR DIMENSIONS			
	QTY	W	H
WCC2430L	(2)	10	30
WCC2430R	(2)	10	30

Specify L or R  
 Double Doors  
 Comes with Two Shelves  
 Special Hinges on Bi-Fold Door

**AVAILABLE WIDTH: 24"**

**36" WALL CORNER  
CORNER DOUBLE DOORS  
36" H 13" D**



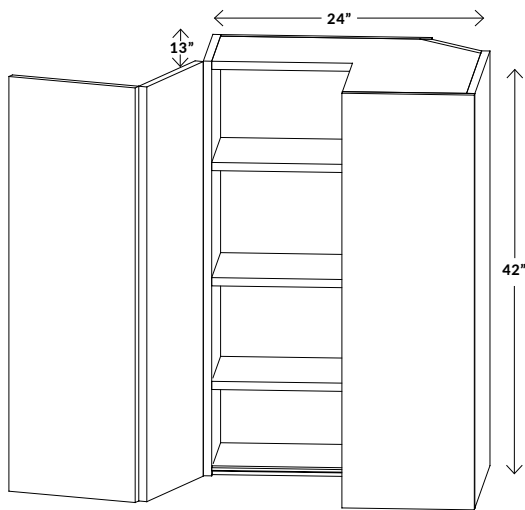
WCC2436L	Wall Corner Corner 24x36 2 Doors
WCC2436R	Wall Corner Corner 24x36 2 Doors

DOOR DIMENSIONS			
	QTY	W	H
WCC2436L	(2)	10	36
WCC2436R	(2)	10	36

**AVAILABLE WIDTH: 24"**

Specify L or R  
Double Doors  
Comes with Three Shelves  
Special Hinges on Bi-Fold Door

**42" WALL CORNER  
CORNER DOUBLE DOORS  
42" H 13" D**



WCC2442L	Wall Corner Corner 24x42 2 Doors
WCC2442R	Wall Corner Corner 24x42 2 Doors

DOOR DIMENSIONS			
	QTY	W	H
WCC2442L	(2)	10	42
WCC2442R	(2)	10	42

**AVAILABLE WIDTH: 24"**

Specify L or R  
Double Doors  
Comes with Three Shelves  
Special Hinges on Bi-Fold Door

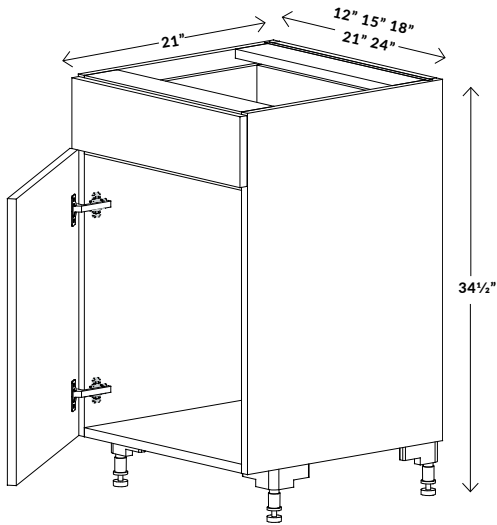


# CABINETS

## VANITY BASE SINGLE DOOR SINGLE DRAWER

34½" H 21" D

SHOWN: VB21FHL



VB12FHL	Vanity Base 12 1 Door 1 Drawer
VB12FHR	Vanity Base 12 1 Door 1 Drawer
VB15FHL	Vanity Base 15 1 Door 1 Drawer
VB15FHR	Vanity Base 15 1 Door 1 Drawer
VB18FHL	Vanity Base 18 1 Door 1 Drawer
VB18FHR	Vanity Base 18 1 Door 1 Drawer
VB21FHL	Vanity Base 21 1 Door 1 Drawer
VB21FHR	Vanity Base 21 1 Door 1 Drawer
VB24FHL	Vanity Base 24 1 Door 1 Drawer
VB24FHR	Vanity Base 24 1 Door 1 Drawer

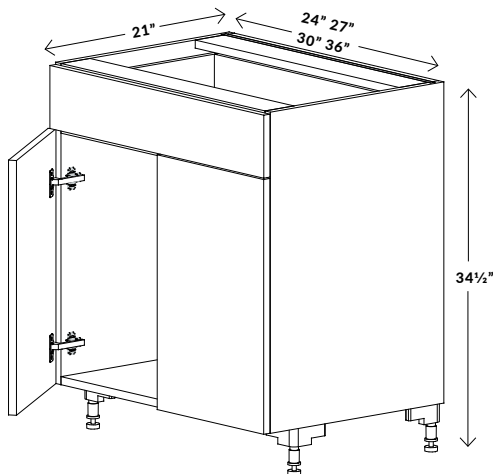
Specify L or R  
Single Door  
Single Drawer  
No Shelf Included

AVAILABLE WIDTHS: 12" - 24"

## VANITY BASE DOUBLE DOORS SINGLE DRAWER

34½" H 21" D

SHOWN: VB30FH

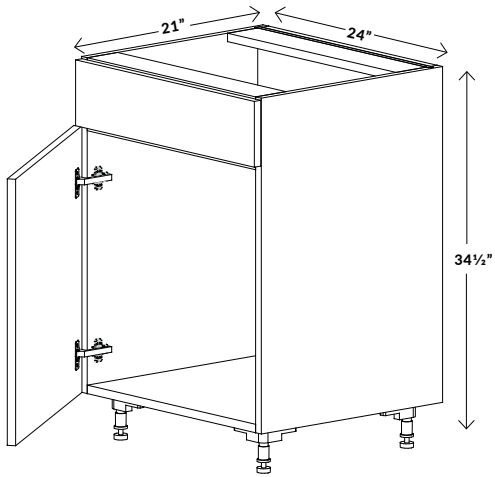


VB24FH-2	Vanity Base 24 2 Doors 1 Drawer
VB27FH	Vanity Base 27 2 Doors 1 Drawer
VB30FH	Vanity Base 30 2 Doors 1 Drawer
VB36FH	Vanity Base 36 2 Doors 1 Drawer

Specify L or R  
Double Doors  
Single Drawer  
No Shelf Included

AVAILABLE WIDTHS: 24" - 36"

**VANITY SINK CABINET SINGLE DOOR SINGLE FALSE FRONT**  
**34½" H 21" D**



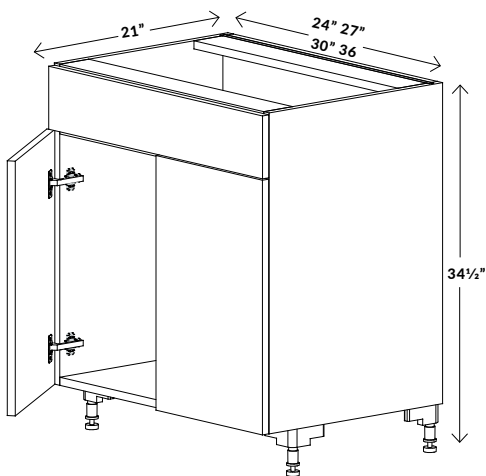
VSB24L	Vanity Sink Cabinet 24 1 Door 1 False Front
VSB24R	Vanity Sink Cabinet 24 1 Door 1 False Front

**AVAILABLE WIDTH: 24"**

**Single Door  
Single False Front**

**VANITY SINK CABINET DOUBLE DOORS SINGLE FALSE FRONT**  
**34½" H 21" D**

**SHOWN: VSB30**



VSB24-2	Vanity Sink Cabinet 24 2 Doors 1 False Front
VSB27	Vanity Sink Cabinet 27 2 Doors 1 False Front
VSB30	Vanity Sink Cabinet 30 2 Doors 1 False Front
VSB36	Vanity Sink Cabinet 36 2 Doors 1 False Front

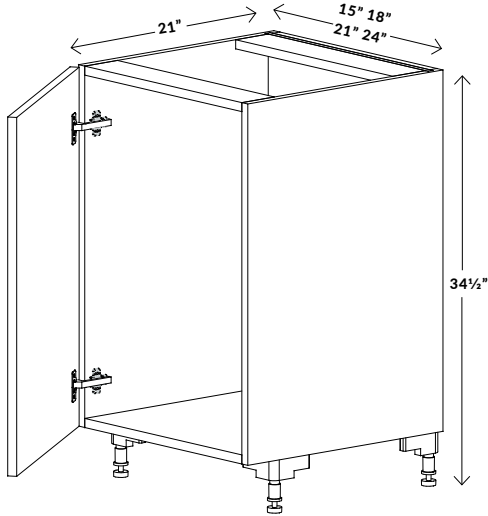
**AVAILABLE WIDTHS: 24" - 36"**

**Double Doors  
Single False Front**

## VANITY SINK FULL HEIGHT SINGLE DOOR

34½" H 21" D

SHOWN: VSBH21L



VSBH15L	Vanity Sink Cabinet 15 1 Door
VSBH15R	Vanity Sink Cabinet 15 1 Door
VSBH18L	Vanity Sink Cabinet 18 1 Door
VSBH18R	Vanity Sink Cabinet 18 1 Door
VSBH21L	Vanity Sink Cabinet 21 1 Door
VSBH21R	Vanity Sink Cabinet 21 1 Door
VSBH24L	Vanity Sink Cabinet 24 1 Door
VSBH24R	Vanity Sink Cabinet 24 1 Door

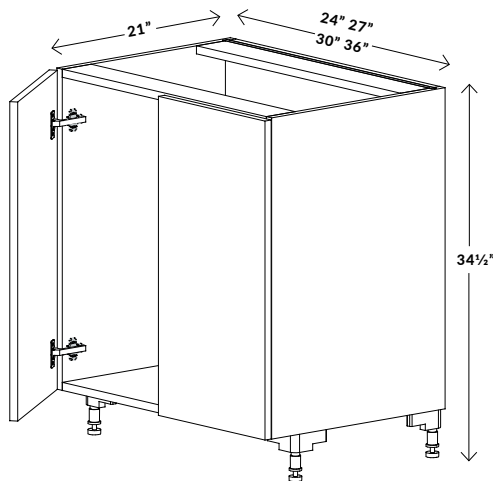
AVAILABLE WIDTHS: 15" - 24"

Specify L or R  
Single Door  
No Shelf

## VANITY SINK FULL HEIGHT DOUBLE DOORS

34½" H 21" D

SHOWN: VSBH30



VSBH24-2	Vanity Sink Cabinet 24 2 Doors
VSBH27	Vanity Sink Cabinet 27 2 Doors
VSBH30	Vanity Sink Cabinet 30 2 Doors
VSBH36	Vanity Sink Cabinet 36 2 Doors

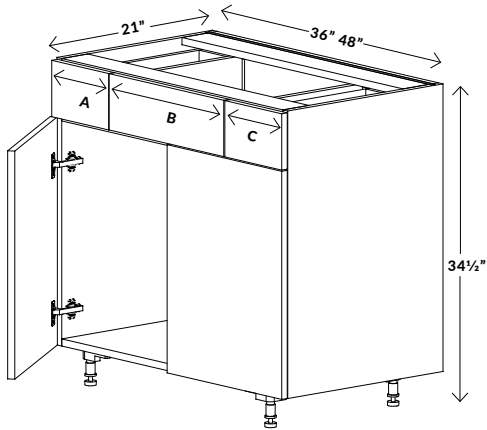
AVAILABLE WIDTHS: 24" - 36"

Double Doors  
No Shelf

**VANITY SINK BASE COMBO 2 DOOR 2 DRAWERS 1 FALSE FRONT**

**34½" H 21" D**

SHOWN: 2VSBC36FH



2VSBC36FH	Vanity Sink Base Combo 36 2 Drawer 1 False Front
2VSBC48FH	Vanity Sink Base Combo 48 2 Drawer 1 False Front

DIMENSIONS			
	A	B	C
2VSBC36FH	9	18	9
2VSBC48FH	12	24	12

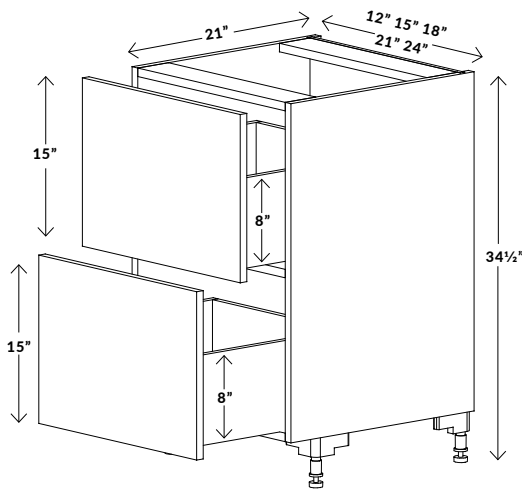
Double Door  
Double Drawers  
Single False Front  
No Shelf

**AVAILABLE WIDTHS: 36" - 48"**

**VANITY DRAWER BASE DOUBLE DRAWERS**

**34½" H 21" D**

SHOWN: 2VDB21FH



2VDB12FH	Vanity Drawer Base 12 2 Drawer
2VDB15FH	Vanity Drawer Base 15 2 Drawer
2VDB18FH	Vanity Drawer Base 18 2 Drawer
2VDB21FH	Vanity Drawer Base 21 2 Drawer
2VDB24FH	Vanity Drawer Base 24 2 Drawer

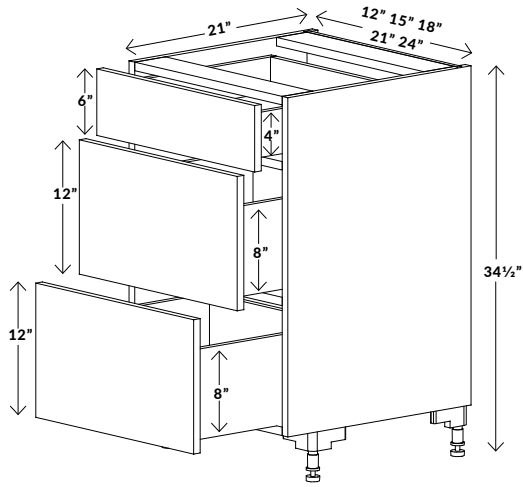
**AVAILABLE WIDTHS: 12" - 24"**

Double Drawers

## VANITY DRAWER BASE 3 DRAWERS

34½" H 21" D

SHOWN: 3VDB21FH



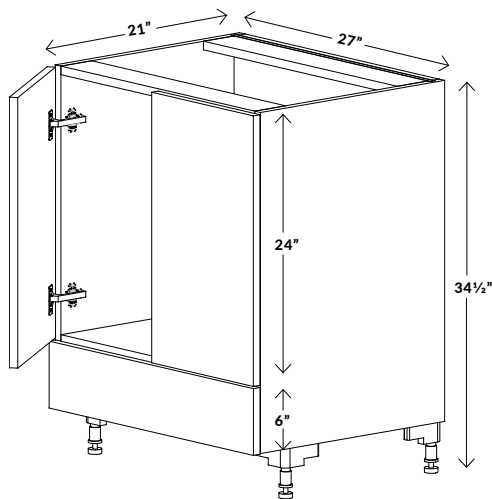
3VDB12FH	Vanity Drawer Base 12 3 Drawer
3VDB15FH	Vanity Drawer Base 15 3 Drawer
3VDB18FH	Vanity Drawer Base 18 3 Drawer
3VDB21FH	Vanity Drawer Base 21 3 Drawer
3VDB24FH	Vanity Drawer Base 24 3 Drawer

AVAILABLE WIDTHS: 12" - 24"

3 Drawers

## VANITY SINK CABINET DOUBLE DOORS SINGLE DRAWER

34½" H 21" D



VSB27BD	Vanity Sink Cabinet 27 2 Doors 1 Bottom Drawer
---------	--

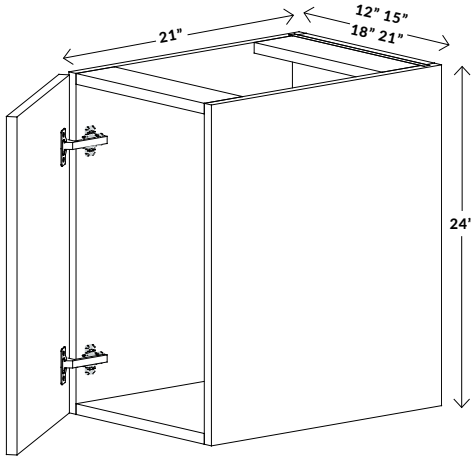
AVAILABLE WIDTH: 27"

Double Doors  
Single Bottom Drawer  
No Shelf

## VANITY SUSPENDED BASE SINGLE DOOR

24" H 21" D

SHOWN: EVBH15L



EVBH12L	Vanity Suspended Base 12 1 Door
EVBH12R	Vanity Suspended Base 12 1 Door
EVBH15L	Vanity Suspended Base 15 1 Door
EVBH15R	Vanity Suspended Base 15 1 Door
EVBH18L	Vanity Suspended Base 18 1 Door
EVBH18R	Vanity Suspended Base 18 1 Door
EVBH21L	Vanity Suspended Base 21 1 Door
EVBH21R	Vanity Suspended Base 21 1 Door

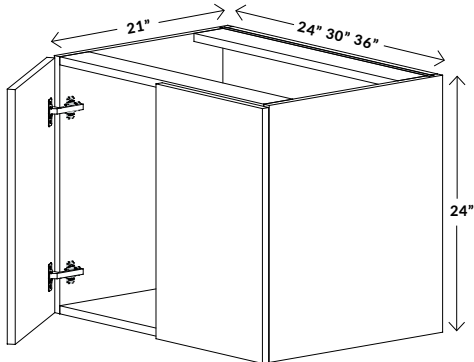
Specify L or R  
Single Door  
Height of 24" Box Represents the Box Height  
Customer may Want To Provide  
Extra Metal / Wall Support  
To Mount Cabinet  
No Shelf

AVAILABLE WIDTHS: 12" - 21"

## VANITY SUSPENDED BASE DOUBLE DOORS

24" H 21" D

SHOWN: EVBH30



EVBH24-2	Vanity Suspended Base 24 2 Doors
EVBH30	Vanity Suspended Base 30 2 Doors
EVBH36	Vanity Suspended Base 36 2 Doors

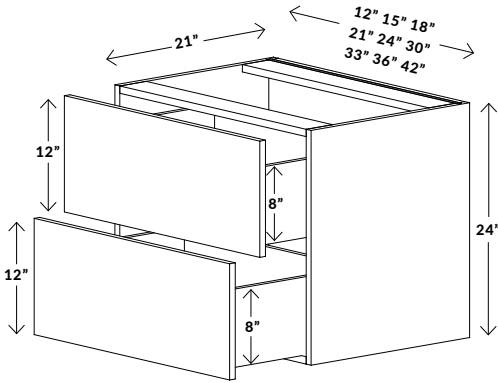
Double Doors  
Height of 24" Box Represents the Box Height  
Customer may Want To Provide  
Extra Metal / Wall Support  
To Mount Cabinet  
No Shelf

AVAILABLE WIDTHS: 24" - 36"

## VANITY SUSPENDED DRAWER BASE DOUBLE DRAWERS

24 $\frac{1}{8}$ " H 21" D

SHOWN: 2EVDB30



2EVDB12	Vanity Suspended Drawer Base 12 2 Drawer
2EVDB15	Vanity Suspended Drawer Base 15 2 Drawer
2EVDB18	Vanity Suspended Drawer Base 18 2 Drawer
2EVDB21	Vanity Suspended Drawer Base 21 2 Drawer
2EVDB24	Vanity Suspended Drawer Base 24 2 Drawer
2EVDB30	Vanity Suspended Drawer Base 30 2 Drawer
2EVDB33	Vanity Suspended Drawer Base 33 2 Drawer
2EVDB36	Vanity Suspended Drawer Base 36 2 Drawer
2EVDB42	Vanity Suspended Drawer Base 42 2 Drawer

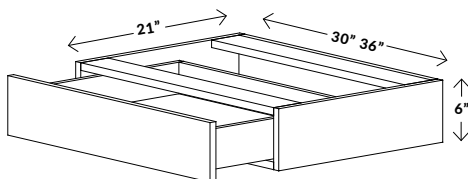
Double Drawers  
Height of 24" Box Represents the Box Height  
Customer may Want To Provide  
Extra Metal / Wall Support  
To Mount Cabinet

AVAILABLE WIDTHS: 12" - 42"

## LAP DRAWER VANITY DESK SINGLE DRAWER

6" H 21" D

SHOWN: LAP30



LAP30	Lap Drawer Vanity Desk 30 1 Drawer
LAP36	Lap Drawer Vanity Desk 36 1 Drawer

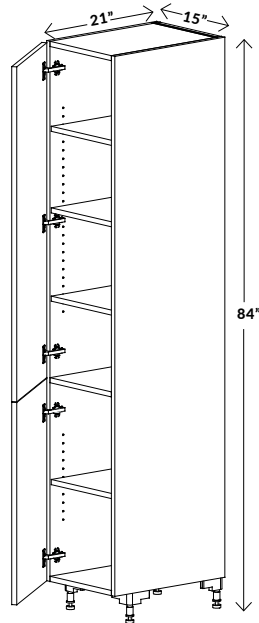
AVAILABLE WIDTHS: 30" - 36"

Single Drawer

**84" VANITY LINEN SINGLE DOOR**

**84" H 21" D**

SHOWN: L1584-21L



L1584-21L	Linen 15 84 High
L1584-21R	Linen 15 84 High

DOOR DIMENSIONS	LOWER DOOR		UPPER DOOR	
	W	H	W	H
L1584-21L	15	30	15	49.5
L1584-21R	15	30	15	49.5

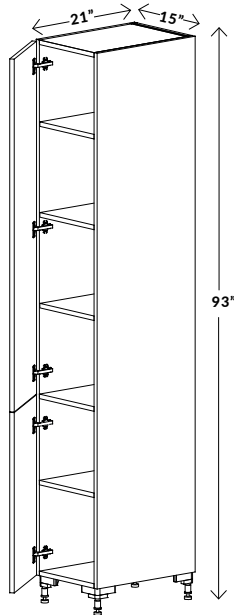
**AVAILABLE WIDTH: 15"**

Specify L or R  
1 Set of Doors  
Comes with 4 Adjustable shelves

**93" VANITY LINEN SINGLE DOOR**

**93" H 21" D**

SHOWN: L1593-21L



L1593-21L	Linen 15 93 High
L1593-21R	Linen 15 93 High

DOOR DIMENSIONS	LOWER DOOR		UPPER DOOR	
	W	H	W	H
L1593-21L	15	30	15	58.5
L1593-21R	15	30	15	58.5

**AVAILABLE WIDTH: 15"**

Specify L or R  
1 Set of Doors  
Comes with 4 shelves



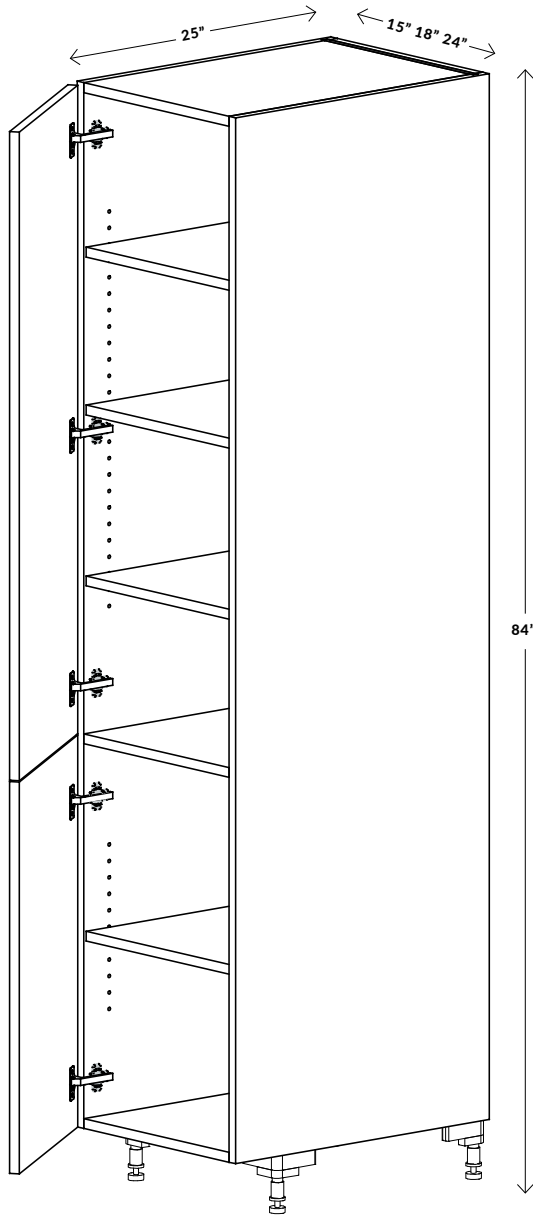
# PANTRY / TALL OVEN CABINETRY

## PANTRY

### 2 DOORS

84" H 25" D

SHOWN: P1884-25L



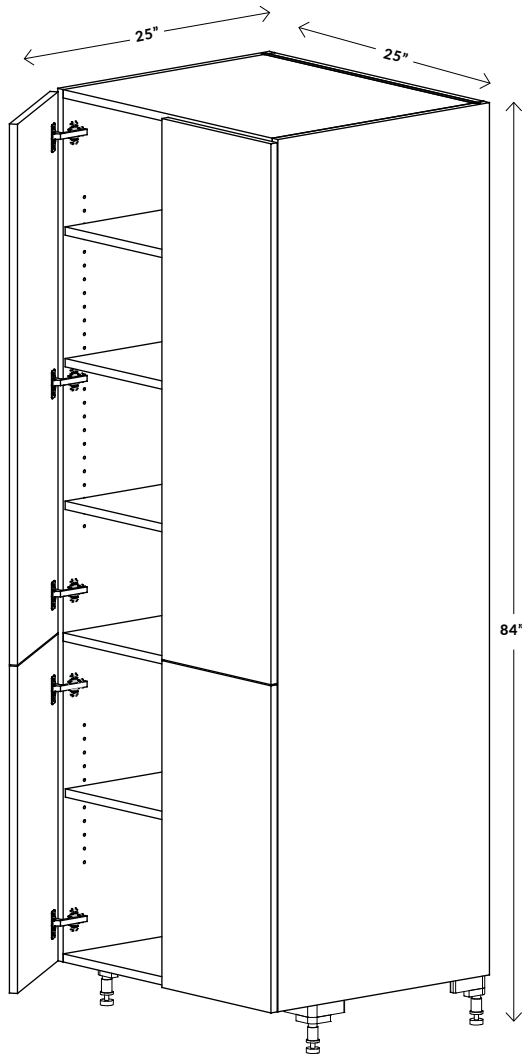
P1584-25L	Pantry 15 84 high 2Door
P1584-25R	Pantry 15 84 high 2Door
P1884-25L	Pantry 18 84 high 2Door
P1884-25R	Pantry 18 84 high 2Door
P2484-25L	Pantry 24 84 high 2Door
P2484-25R	Pantry 24 84 high 2Door

DOOR DIMENSIONS	LOWER DOOR		UPPER DOOR	
	W	H	W	H
P1584-25L	15	30	15	49.5
P1584-25R	15	30	15	49.5
P1884-25L	18	30	18	49.5
P1884-25R	18	30	18	49.5
P2484-25L	24	30	24	49.5
P2484-25R	24	30	24	49.5

AVAILABLE WIDTHS: 15" - 24"

2 Doors  
Comes with 4 Adjustable Shelves  
Comes with 1 Fixed Shelf

**PANTRY**  
**4 DOORS**  
**84" H 25" D**  
**SHOWN: P3084-25**



P2484-25-2	Pantry 24 84 high 4Door
P3084-25	Pantry 30 84 high 4Door

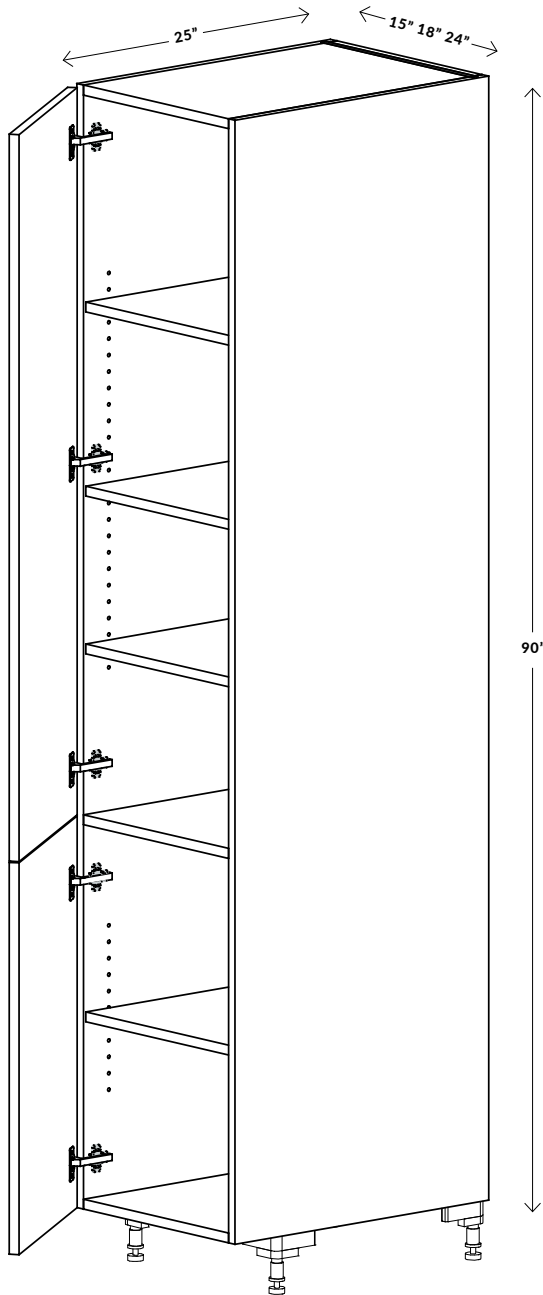
DOOR DIMENSIONS	LOWER DOOR		UPPER DOOR	
	W	H	W	H
P2484-25-5	12	30	12	49.5
P3084-25	15	30	15	49.5

**AVAILABLE WIDTHS: 24" - 30"**

**4 Doors**  
**Comes with 4 Adjustable Shelves**  
**Comes with 1 Fixed Shelf**

**PANTRY**  
**90" PANTRY 2 DOORS**  
**90" H 25" D**

SHOWN: P1890-25L



P1590-25L	Pantry 15 90 high 2 Doors
P1590-25R	Pantry 15 90 high 2 Doors
P1890-25L	Pantry 18 90 high 2 Doors
P1890-25R	Pantry 18 90 high 2 Doors
P2490-25L	Pantry 24 90 high 2 Doors
P2490-25R	Pantry 24 90 high 2 Doors

DOOR DIMENSIONS	LOWER DOOR		UPPER DOOR	
	W	H	W	H
P1590-25L	15	30	15	55.5
P1590-25R	15	30	15	55.5
P1890-25L	18	30	18	55.5
P1890-25R	18	30	18	55.5
P2490-25L	24	30	24	55.5
P2490-25R	24	30	24	55.5

**AVAILABLE WIDTHS: 15" - 24"**

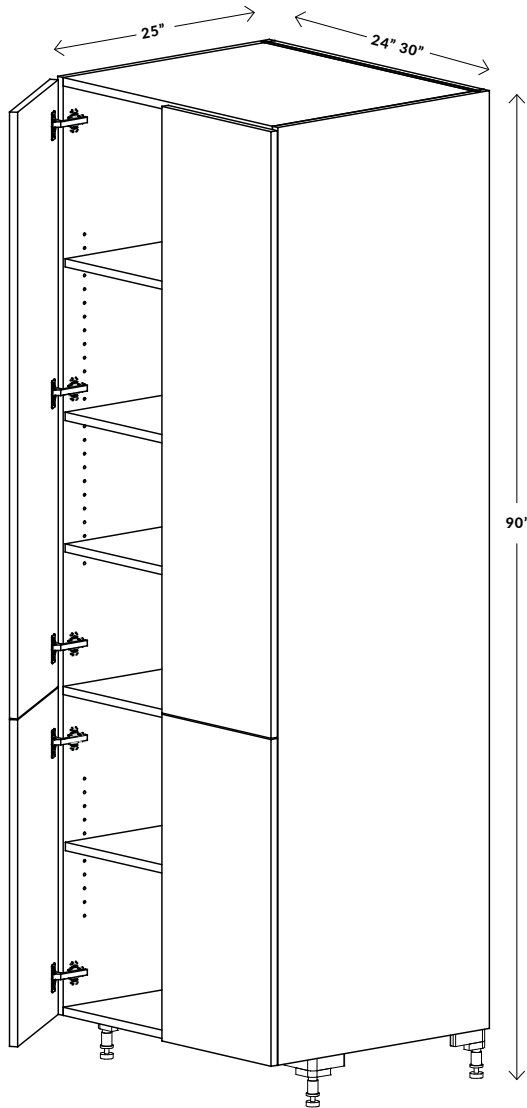
**2 Doors**  
**Comes with 4 Adjustable Shelves**  
**Comes with 1 Fixed Shelf**

**PANTRY**

**90" PANTRY 4 DOORS**

**90" H 25" D**

**SHOWN: P3090-25**



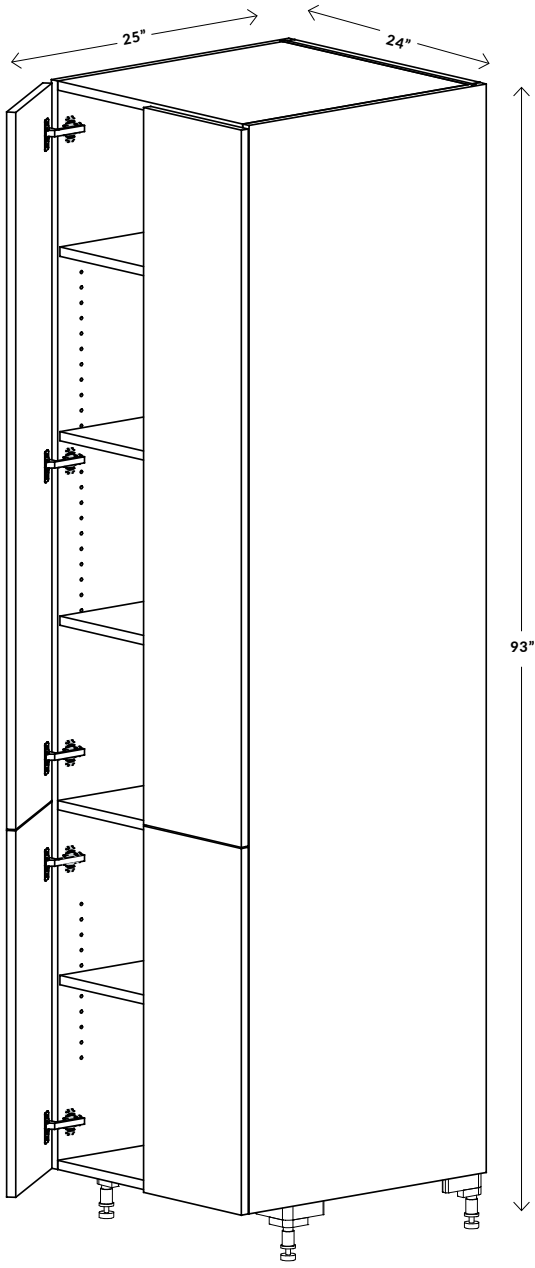
P2490-25-2	Pantry 24 90 high 4 Doors
P3090-25	Pantry 30 90 high 4 Doors

DOOR DIMENSIONS	LOWER DOOR		UPPER DOOR	
	W	H	W	H
P2490-25-2	12	30	12	55.5
P3090-25	15	30	15	55.5

**AVAILABLE WIDTHS: 24" - 30"**

**4 Doors**  
Comes with 4 Adjustable Shelves  
Comes with 1 Fixed Shelf

**PANTRY**  
**93" PANTRY 4 DOORS**  
**93" H 25" D**



P2493-25-2	Pantry 24 93 high 4 Doors
------------	------------------------------

DOOR DIMENSIONS	LOWER DOOR		UPPER DOOR	
	W	H	W	H
P2493-25-2	12	30	12	58.5

**AVAILABLE WIDTH: 24"**

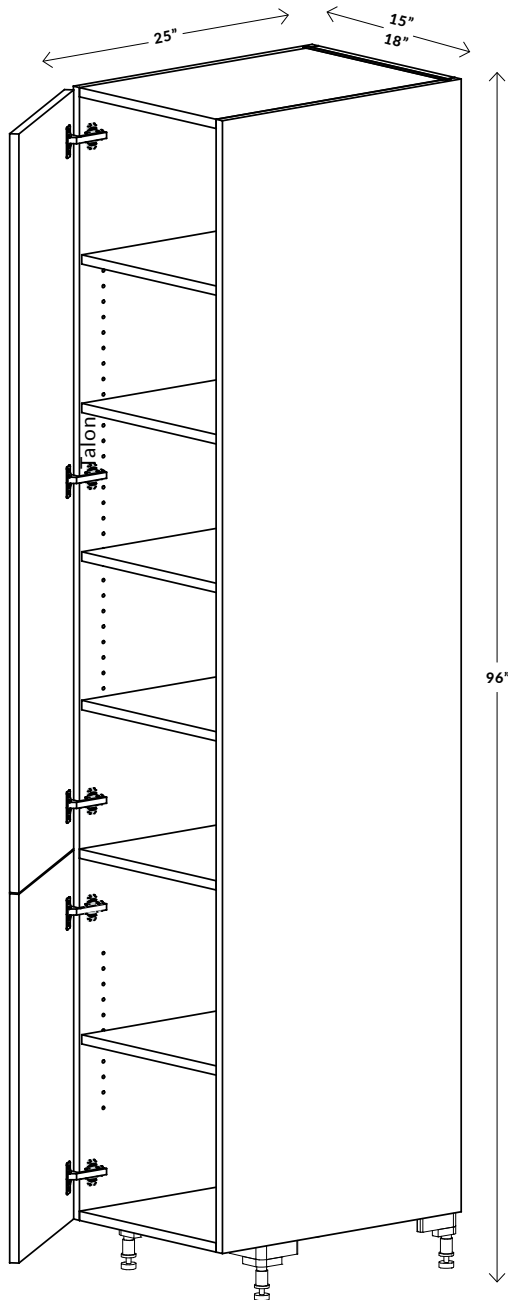
**4 Doors**  
**Comes with 4 Adjustable Shelves**  
**Comes with 1 Fixed Shelf**

**PANTRY**

**96" PANTRY 2 DOORS**

**96" H 25" D**

**SHOWN: P1896-25L**



P1596-25L	Pantry 15 96 high 2Door
P1596-25R	Pantry 15 96 high 2Door
P1896-25L	Pantry 18 96 high 2Door
P1896-25R	Pantry 18 96 high 2Door

DOOR DIMENSIONS	LOWER DOOR		UPPER DOOR	
	W	H	W	H
P1596-25L	15	30	15	61.5
P1596-25R	15	30	15	61.5
P1896-25L	18	30	18	61.5
P1896-25R	18	30	18	61.5

**AVAILABLE WIDTHS: 15" - 18"**

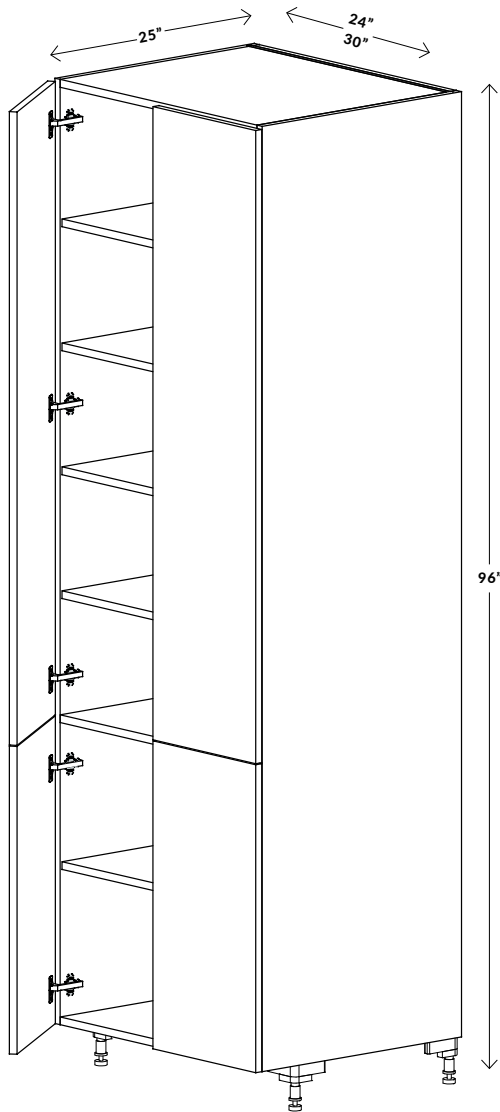
**2 Doors**  
**Comes with 5 Adjustable Shelves**  
**Comes with 1 Fixed Shelf**

**PANTRY**

**96" PANTRY 4 DOORS**

**96" H 25" D**

**SHOWN: P3096**



P2496-25-2	Pantry 24 96 high 4 Doors
P3096-25	Pantry 30 96 high 4 Doors

DOOR DIMENSIONS	LOWER DOOR		UPPER DOOR	
	W	H	W	H
P2496-25-2	12	30	12	61.5
P3096-25	15	30	15	61.5

**AVAILABLE WIDTHS: 24" - 30"**

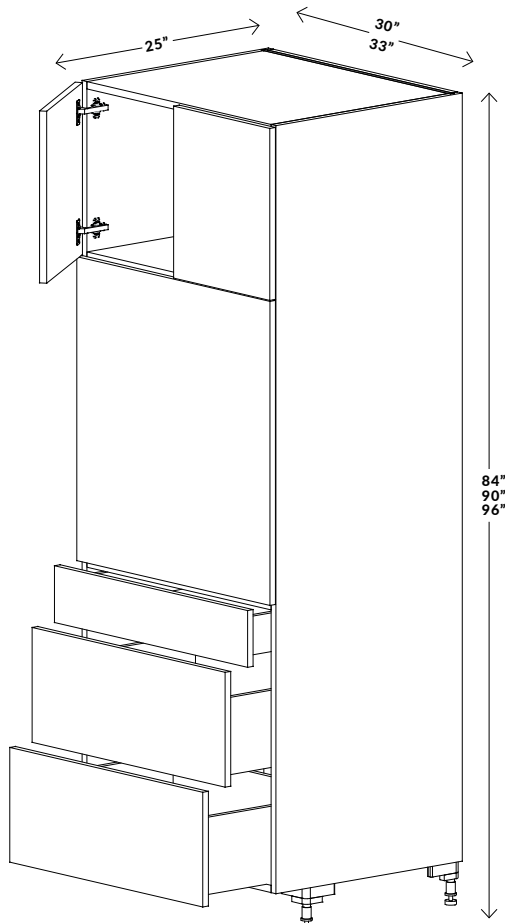
**4 Doors**  
Comes With 5 Adjustable Shelves  
Comes With 1 Fixed Shelf

# TALL OVEN

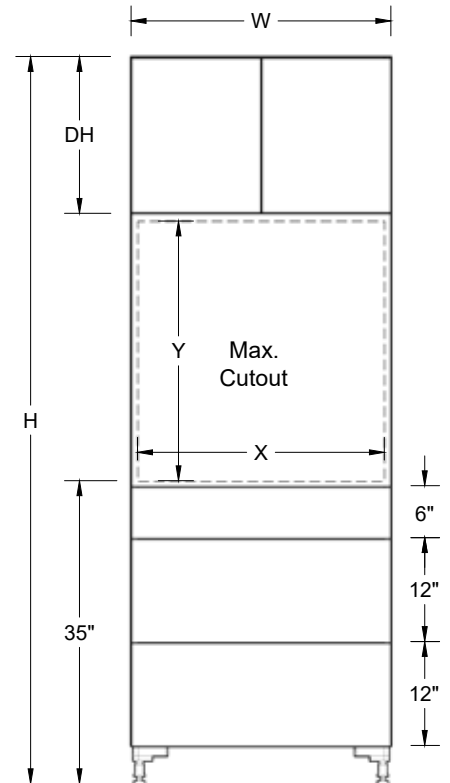
## 84" TALL OVEN CABINET DOUBLE DOORS 3 DRAWERS

84" H 25" D

SHOWN: TOC3D3084



TOC3D3084	Tall Oven Cabinet 30 84 high 2 doors 3 drawer
TOC3D3384	Tall Oven Cabinet 33 84 high 2 doors 3 drawer
TOC3D3090	Tall Oven Cabinet 30 90 high 2 doors 3 drawer
TOC3D3390	Tall Oven Cabinet 33 90 high 2 doors 3 drawer
TOC3D3096	Tall Oven Cabinet 30 96 high 2 doors 3 drawer
TOC3D3396	Tall Oven Cabinet 33 96 high 2 doors 3 drawer



TOC3D						
SKU	W	H	X	Y	DH	SHELF
TOC3D3084	30	84	28.50	30.00	18	0
TOC3D3090	30	90	28.50	30.00	24	1
TOC3D3096	30	96	28.50	30.00	30	2
TOC3D3384	33	84	31.50	30.00	18	0
TOC3D3390	33	90	31.50	30.00	24	1
TOC3D3396	33	96	31.50	30.00	30	2

Tall Single Oven  
Double Doors  
Single Door  
Adjustable Shelf  
Comes with Adjustable Appliance Floor Attached w/ Vertical  
Keku Clips  
3 Bottom Drawers

AVAILABLE WIDTHS: 30" - 33"

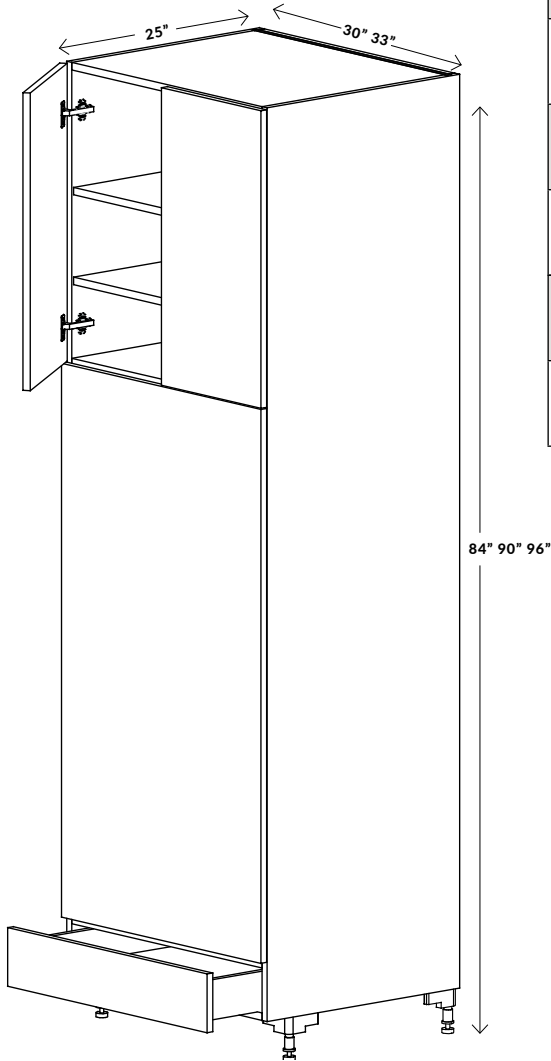


# TALL OVEN

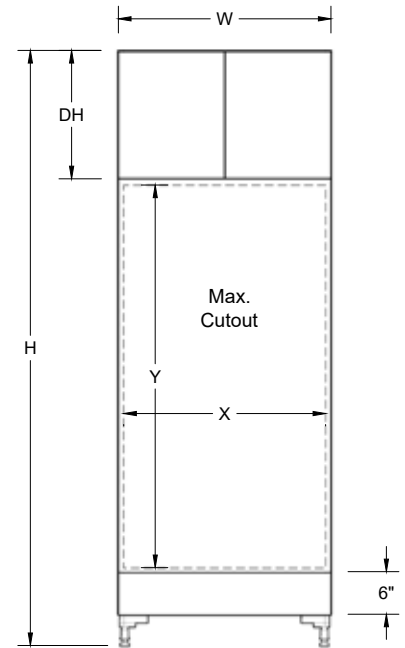
## 96" TALL DOUBLE OVEN CABINET DOUBLE DOOR SINGLE DRAWER

96" H 25" D

SHOWN: TDOCD3096



TDOCD3084	Tall Double Oven Cabinet 30 84 high 2 doors 1 drawer
TDOCD3384	Tall Double Oven Cabinet 33 84 high 2 doors 1 drawer
TDOCD3090	Tall Double Oven Cabinet 30 90 high 2 doors 1 drawer
TDOCD3390	Tall Double Oven Cabinet 33 90 high 2 doors 1 drawer
TDOCD3096	Tall Double Oven Cabinet 30 96 high 2 doors 1 drawer
TDOCD3396	Tall Double Oven Cabinet 33 96 high 2 doors 1 drawer



TDOCD							
SKU	W	H	X	Y	DH	SHELF	
TDOCD3084	30	84	28.50	54.00	18	0	
TDOCD3090	30	90	28.50	54.00	24	1	
TDOCD3096	30	96	28.50	54.00	30	2	
TDOCD3384	33	84	31.50	54.00	18	0	
TDOCD3390	33	90	31.50	54.00	24	1	
TDOCD3396	33	96	31.50	54.00	30	2	

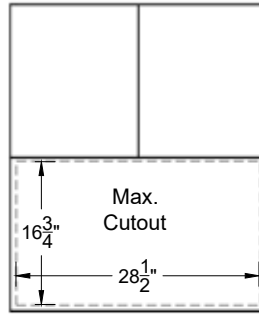
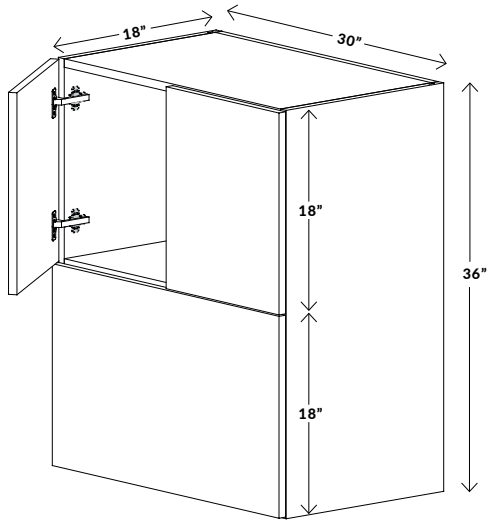
**AVAILABLE WIDTHS: 30" - 33"**

**Tall Double Ovens  
Double Doors  
Comes with Two Adjustable Shelf  
Comes with Adjustable Appliance Floor Attached w/ Vertical  
Keku Clips  
Single Bottom Drawer**

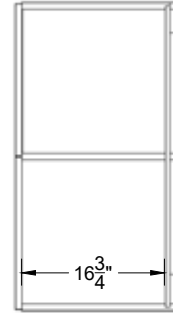
## ACCESSORIES

### WALL MICROWAVE

36" H 18" D



FRONT ELEVATION



SIDE ELEVATION

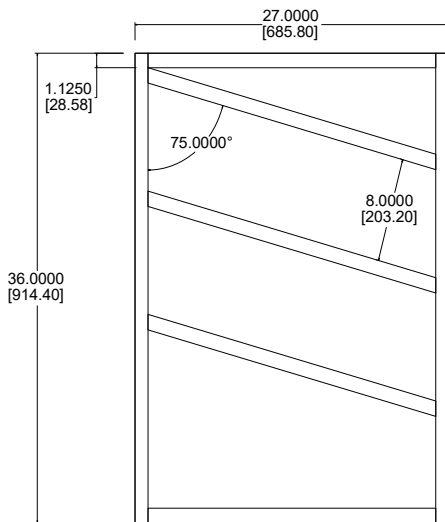
AVAILABLE WIDTH: 30"

Cabinet Comes Unfinished Birch Veneer Ends

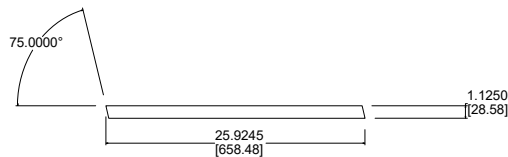
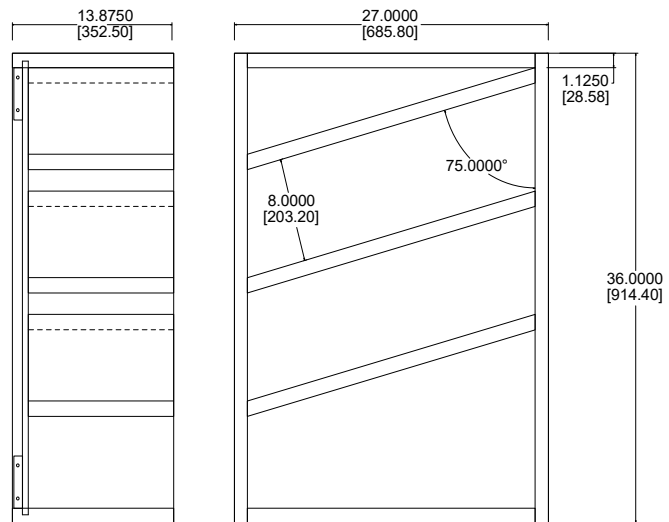
### CHEVRON WINE RACK

36" H 13 7/8" D

SHOWN LEFT



SHOWN RIGHT



CWR2736L	Chevron Wine Rack Left 27x36x13-7/8" Deep 1-1/8" Thick
CWR2736R	Chevron Wine Rack Right 27x36x13-7/8" Deep 1-1/8" Thick

AVAILABLE WIDTH: 27"

1-1/8" Double Thickness  
Finished Interior and Exterior

# VERTICAL WINE RACK

49½" H 13⅞" D

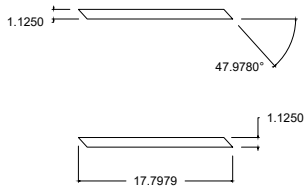
55½" H 13⅞" D

61½" H 13⅞" D

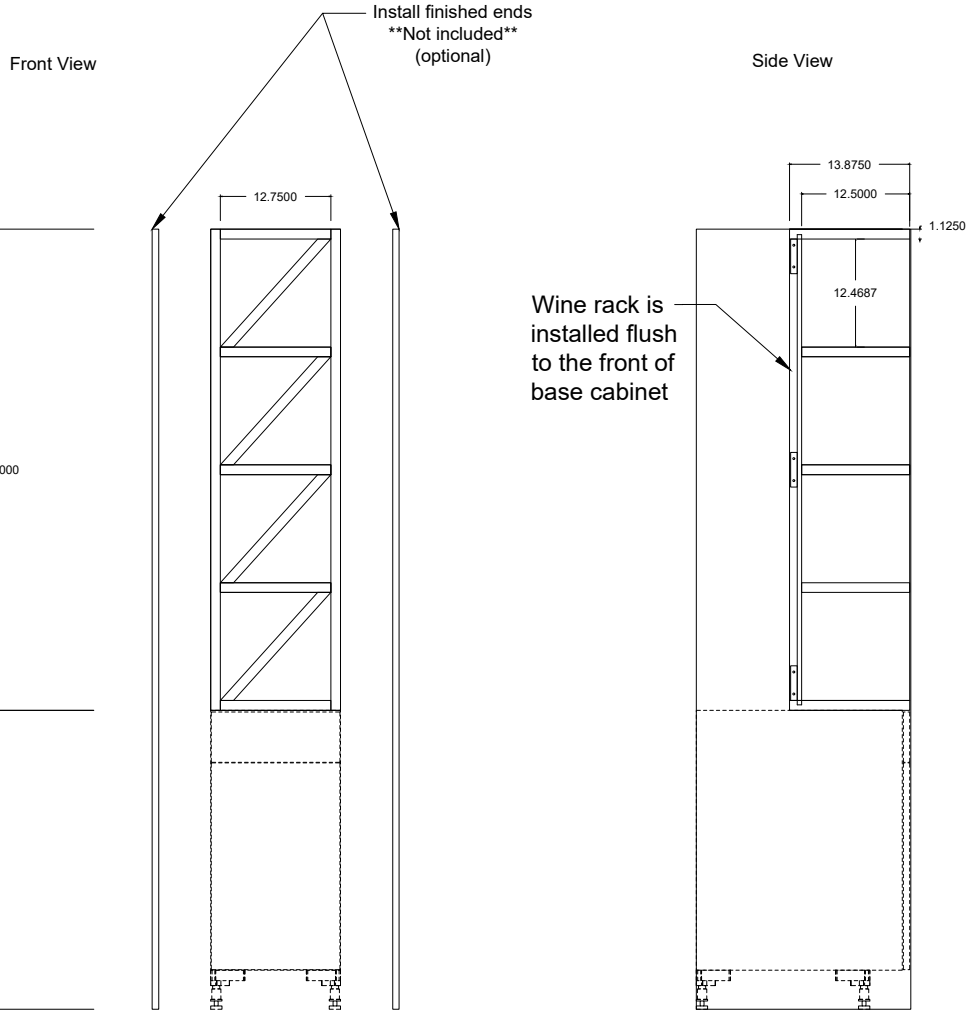
3 Horizontal Fixed Shelves  
4 Angled Fixed Shelves

\*\*Angled Shelves are secured from the back with Wood screw\*\*

Angled shelf dimensions



Wine Rack installed on top of a base cabinet  
15" width  
\*\*Base Cabinet not included\*\*



VWR15495	Vertical Wine Rack 15 x 49.5 x 13.875 1-1/8" Thick
VWR15555	Vertical Wine Rack 15 x 55.5 x 13.875 1-1/8" Thick
VWR15615	Vertical Wine Rack 15 x 61.5 x 13.875 1-1/8" Thick

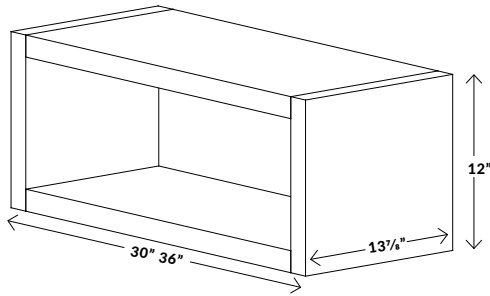
AVAILABLE WIDTH: 15"

1-1/8" Double Thickness  
Finished Interior and Exterior

## 12" WALL OPEN SHELF

12" H 13<sup>7</sup>/<sub>8</sub>" D

SHOWN: WOS3012



WOS3012	Open Shelf 30x12 (1-1/4" Double thickness) - 13 <sup>7</sup> / <sub>8</sub> " Depth
WOS3612	Open Shelf 36x12 (1-1/4" Double thickness) - 13 <sup>7</sup> / <sub>8</sub> " Depth

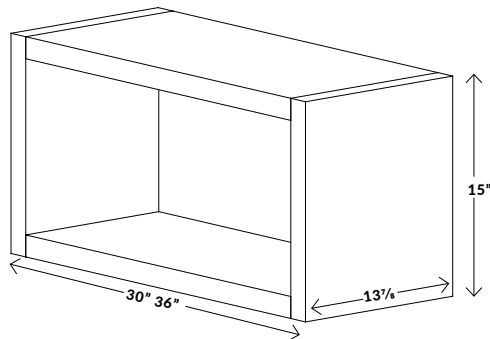
AVAILABLE WIDTHS: 30" - 36"

1-1/8" Double thickness  
Finished Interior and Exterior

## 15" WALL OPEN SHELF

15" H 13<sup>7</sup>/<sub>8</sub>" D

SHOWN: WOS3015

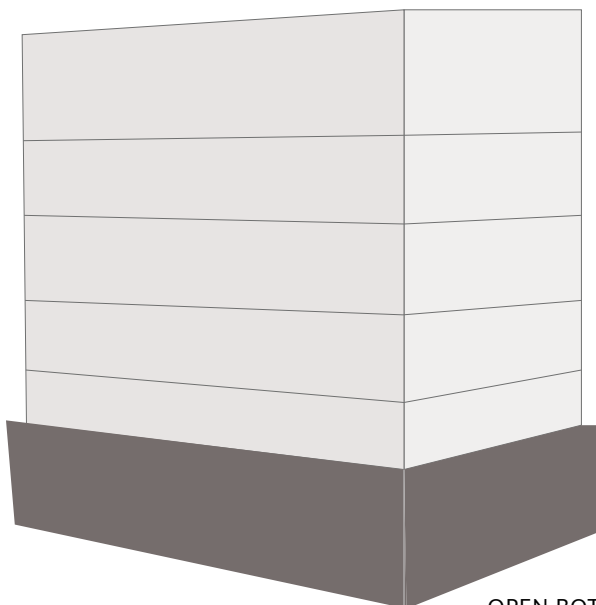


WOS3015	Open Shelf 30x15 (1-1/4" Double thickness) - 13 7/8" Depth
WOS3615	Open Shelf 36x15 (1-1/4" Double thickness) - 13 7/8" Depth

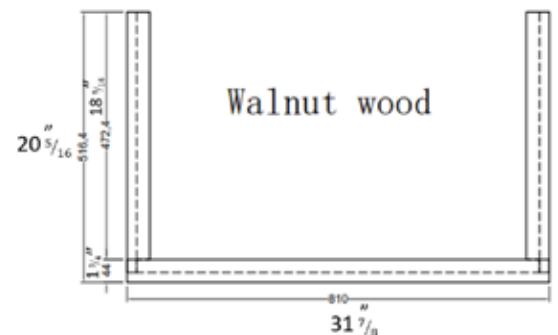
AVAILABLE WIDTHS: 30" - 36"

1-1/8" Double Thickness  
13-7/8" Depth, Finished Interior and Exterior

## WALL HOOD



HOODA3036	Hood Unit 30x23x18
HOODA_EXT	18" Extension For Top Flue



OPEN BOTTOM  
HOODA\_EXT FITS ON TOP

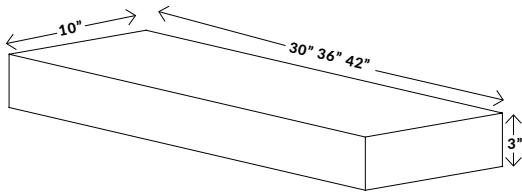
OPEN BOTTOM  
CUSTOMER MAY NEED TO  
PROVIDE PANEL TO FIT APPLIANCE

SPECIFICATION

## FLOATING SHELF

3" H 10" D

SHOWN: FS30



FS30	Floating Shelf 30W3x10D (3" thick)
FS36	Floating Shelf 36W3x10D (3" thick)
FS42	Floating Shelf 42W3x10D (3" thick)



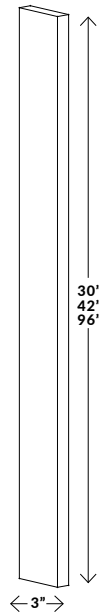
AVAILABLE WIDTHS: 30" - 42"

Finished 5 Sides

## FILLERS

3" H 10" D

SHOWN: F330



F330	Base Unit Filler 3"x30
F630	Base Unit Filler 6"x30
F342	Wall Unit Filler 3"x42
F642	Wall Unit Filler 6"x42
F396	Tall Unit Filler 3x96
F696	Tall Unit Filler 6x96

For Paint Finishes:  
Finished 5 Sides

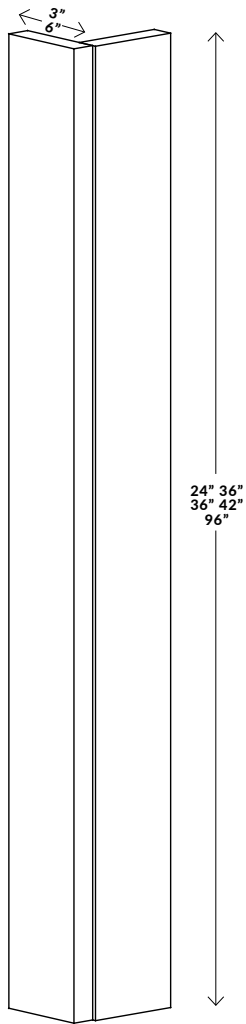
For Veneer Finishes:  
Finished 5 Sides With PVC Edge Banding and Birch Back

AVAILABLE WIDTHS: 3" - 6"

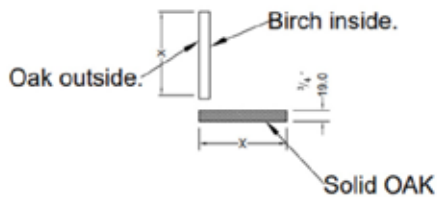
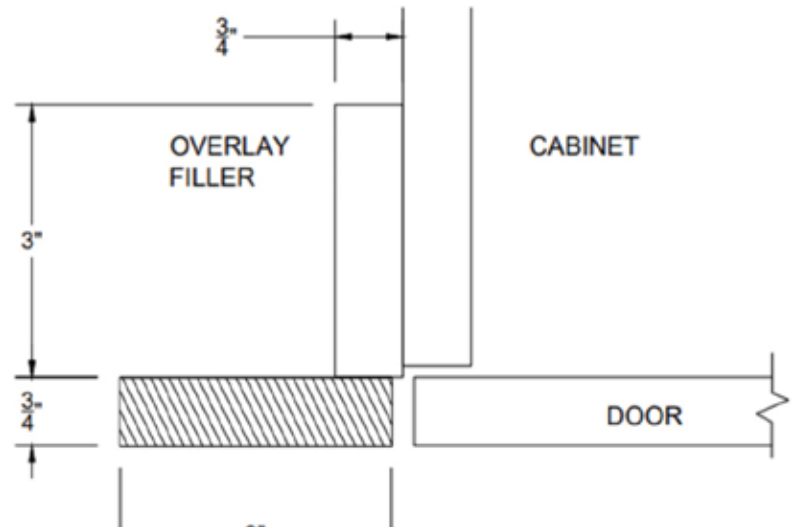
# OVERLAY FILLERS

3" H

SHOWN: OL330



OL324	Overlay Filler 3x24
OL330	Overlay Filler 3x30
OL336	Overlay Filler 3x36
OL342	Overlay Filler 3x42
OL396	Overlay Filler 3x96
OL630	Overlay Filler 6x30
OL696	Overlay Filler 6x96



**For Veneer:**  
**Front Piece - Solid Oak**  
**Back Piece - Oak Wood Veneer**  
**Outside & Birch Wood Veneer Inside**  
**with PVC OAK Banding on 4 Edges**

**For Paint: Finished 5 Sides for Both Pieces**

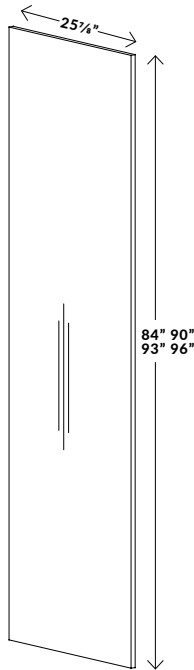
**Overlay Fillers are Designed to Come Flush with the Door.**  
**Item is Shipped Loose as Two Pieces.**  
**Front Piece is Door Material and Finished to Match the Door.**  
**The Second Piece is Filler Material that is Attached to the Front Piece**  
**to Allow it to Come Flush to the Door on the Cabinet Beside.**

**AVAILABLE WIDTHS: 3" - 6"**

## TALL FINISHED END PANELS

25<sup>7</sup>/<sub>8</sub>" D

SHOWN: TEP2584



TEP2584	84" High 25-7/8" Deep
TEP2590	90" High 25-7/8" Deep
TEP2593	93" High 25-7/8" Deep
TEP2596	96" High 25-7/8" Deep

**For Painted Finishes:**  
Standard Finish on Front & Edges, UV Coating on Back

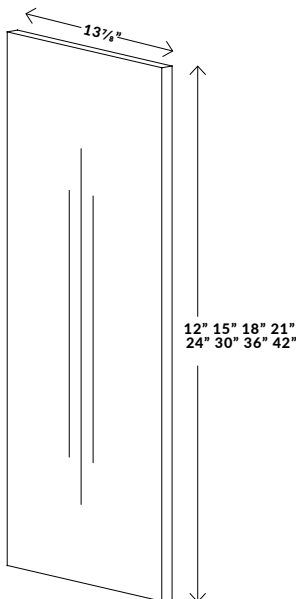
**For Veneer Finishes:**  
Veneer on 2 Sides and PVC Oak Edge Banding on 4 Sides

**AVAILABLE HEIGHTS: 84" - 96"**

## WALL FINISHED END PANELS

13<sup>7</sup>/<sub>8</sub>" D

SHOWN: WEP1330



WEP1312	Wall End Panel 13-7/8" Deep, 12" Height
WEP1315	Wall End Panel 13-7/8" Deep, 15" Height
WEP1318	Wall End Panel 13-7/8" Deep, 18" Height
WEP1321	Wall End Panel 13-7/8" Deep, 21" Height
WEP1324	Wall End Panel 13-7/8" Deep, 24" Height
WEP1330	Wall End Panel 13-7/8" Deep, 30" Height
WEP1336	Wall End Panel 13-7/8" Deep, 36" Height
WEP1342	Wall End Panel 13-7/8" Deep, 42" Height

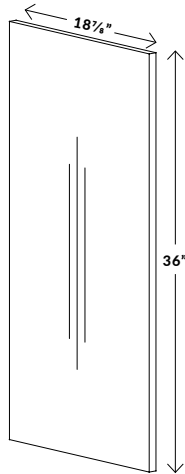
**For Painted Finishes:**  
Standard Finish on Front & Edges, UV Coating on Back

**For Veneer Finishes:**  
Veneer on 2 Sides and PVC Oak Edge Banding on 4 Sides

**AVAILABLE HEIGHTS: 12" - 42"**

## WALL FINISHED END PANELS

18<sup>7</sup>/<sub>8</sub>" D



WEP1836	Wall End Panel 18-7/8" Deep
---------	--------------------------------

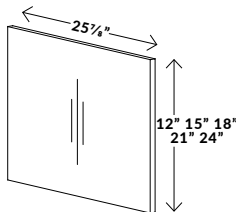
AVAILABLE HEIGHT: 36"

**For Painted Finishes:**  
Standard Finish on Front & Edges, UV Coating on Back  
**For Veneer Finishes:**  
Veneer on 2 Sides and PVC Oak Edge Banding on 4 Sides  
Used With Microwave Cabinet

## WALL FINISHED END PANELS

25<sup>7</sup>/<sub>8</sub>" D

SHOWN: WEP2518



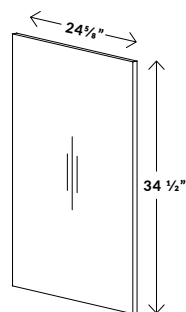
WEP2512	Wall End Panel 25-7/8" Deep, 12" Height
WEP2515	Wall End Panel 25-7/8" Deep, 15" Height
WEP2518	Wall End Panel 25-7/8" Deep, 18" Height
WEP2521	Wall End Panel 25-7/8" Deep, 21" Height
WEP2524	Wall End Panel 25-7/8" Deep, 24" Height

AVAILABLE HEIGHTS: 12" - 24"

**For Painted Finishes:**  
Standard Finish on Front & Edges, UV Coating on Back  
**For Veneer Finishes:**  
Veneer on 2 Sides and PVC Oak Edge Banding on 4 Sides  
Finish to Match all Door Color on Globals

## BASE END PANEL

34<sup>1</sup>/<sub>2</sub>" H 24<sup>5</sup>/<sub>8</sub>" D



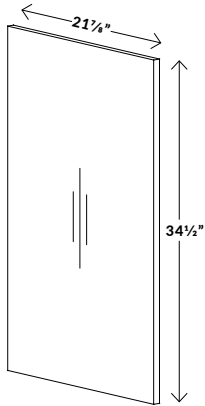
BEP25	Base End Panel 24-5/8" Deep
-------	--------------------------------

**For Painted Finishes:**  
Standard Finish on Front & Edges, UV Coating on Back  
**For Veneer Finishes:**  
Veneer on 2 Sides and PVC Oak Edge Banding on 4 Sides



## VANITY END PANEL

34½" H 21⅞" D



VEP21	Vanity End Panel 21-7/8" Deep
-------	----------------------------------

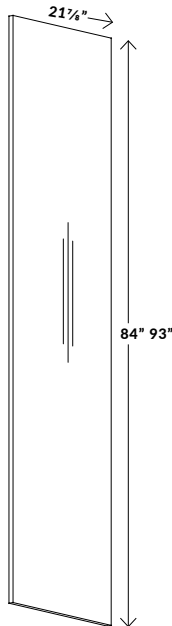
**For Painted Finishes:**  
Standard Finish on Front & Edges, UV Coating on Back

**For Veneer Finishes:**  
Veneer on 2 Sides and PVC Oak Edge Banding on 4 Sides

## VANITY LINEN END PANEL

21⅞" D

SHOWN: VLEP2184



VLEP2184	Vanity Linen End Panel 21-7/8" Deep - 84" High
VLEP2193	Vanity Linen End Panel 21-7/8" Deep - 93" High

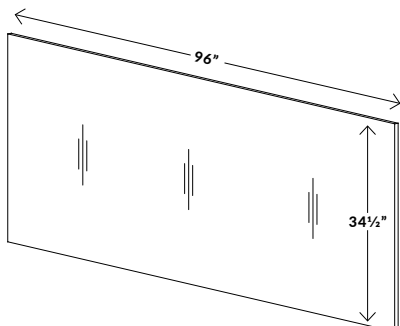
**For Painted Finishes:**  
Standard Finish on Front & Edges, UV Coating on Back

**For Veneer Finishes:**  
Veneer on 2 Sides and PVC Oak Edge Banding on 4 Sides

**AVAILABLE HEIGHTS: 84" - 93"**

## ISLAND BACKING PANEL

34¼" H 96" D



IBP34.5X96	Island Backing Panel
------------	----------------------

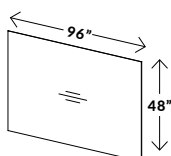
**Painted Finishes:**  
Standard Finish on Front & Edges, UV Coating on Back

**Veneer Finishes:**  
Finished 5 Side, Birch Wood on Back

# PANELS

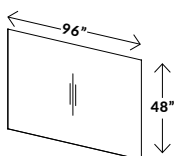
FBP4896-1/4	4'x8' Sheet
FBP9648-1/4	8'x4' Sheet Horizontal Grain For Stained Veneer
DWP324L	Base Dishwasher End Panel, 3"
DWP324R	Base Dishwasher End Panel, 3"
SH-W1336	Replacement Shelf for Wall Cabinet x 36" Wide
SH-B2436	Replacement Shelf for Base Cabinet x 36" Wide
SH-V2136	Replacement Shelf for Vanity Cabinet x 36" Wide
SH-P2536	Replacement Shelf for Pantry and Refrigerator Cabinets x 36" Wide
LEG4	Adjustable Leg [4 pieces]

**FBP4896-1/4**



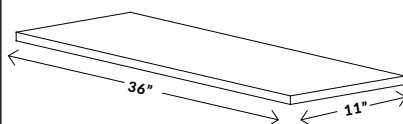
Finished 1 Side

**FBP9648-1/4**

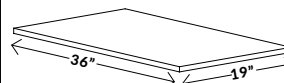


Finished 1 Side

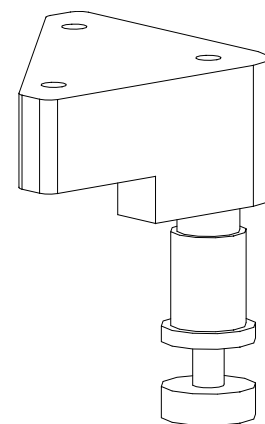
**SH-W1336**



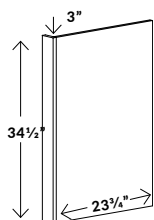
**SH-V2136**



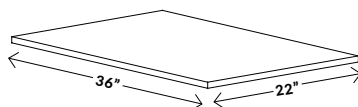
**LEG4**



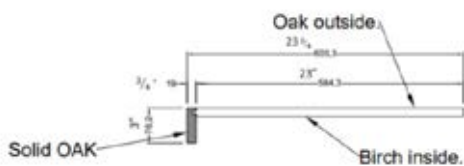
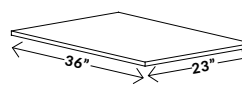
**DWP324L / R**



**SH-B2436**



**SH-P2536**



**For Painted Finishes:**  
Standard Finish on 5 Sides, UV Coating on Back for Both Pieces

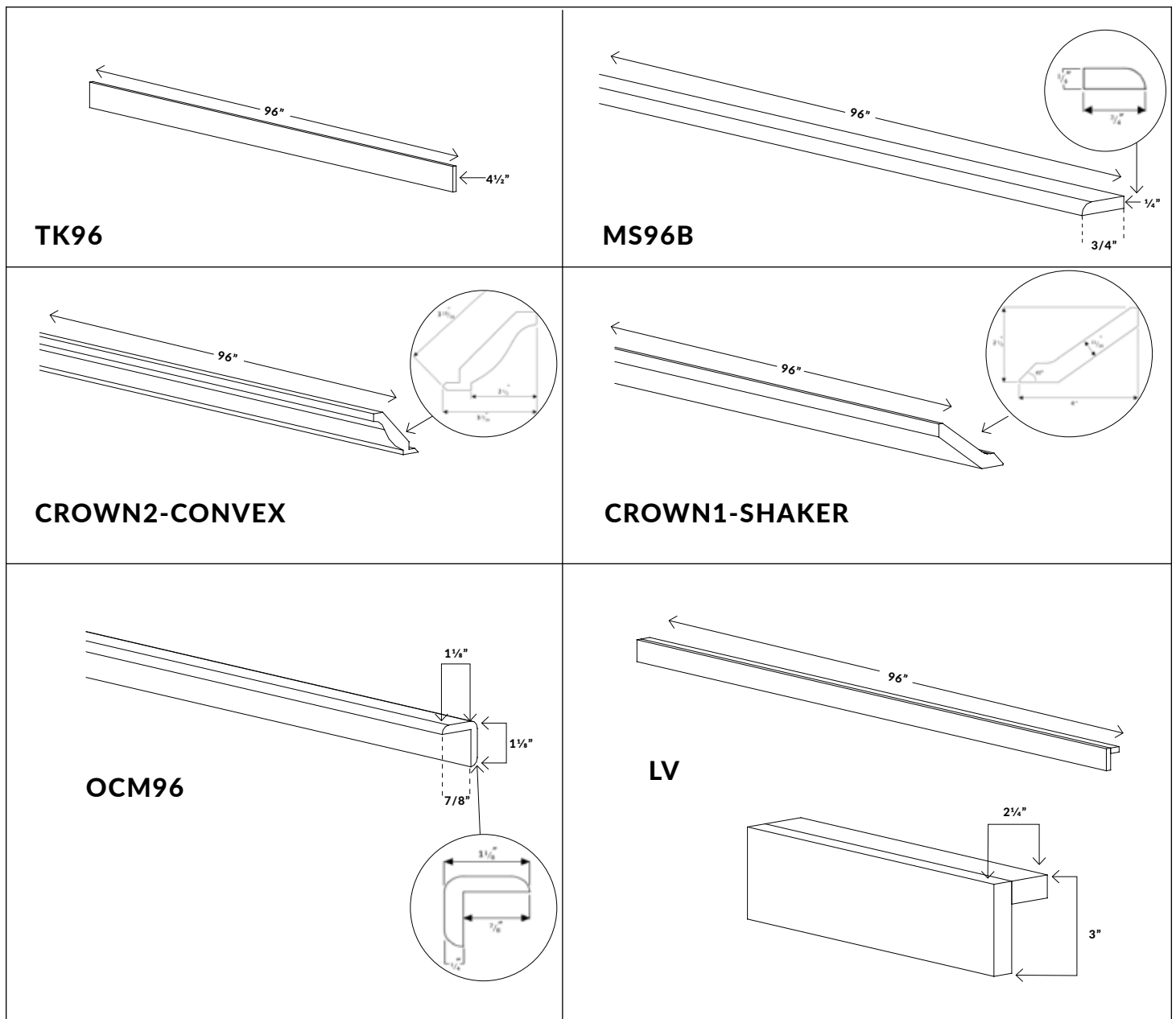
**For Veneer Finishes:**  
Small Piece: Solid Oak  
Big Piece: 5 Side, Birch Wood on Back

**MOLDINGS**

**MOLDINGS**

96" L

TK96	Toe Kick (Finished on only 1 side)
MS96	Scribe Molding
LV	Light Valance 3Hx1-1/2"Dx8'L
CROWN1-SHAKER	Crown Molding Shaker
CROWN2-CONVEX	Crown Molding Convex
OCM96	Outside Corner Molding 1 1/8"H 8'L



## STORAGE SOLUTIONS

### CABINETS INSERTS

#### BASE UNITS ARE DESIGNED FOR 34½" HEIGHTS

---

LD-4BW-472-28-1

Maple Banded Pie Cut Lazy Susan



The 4BW series (2) shelf kidney lazy susans for base corner applications are revered as the best on the market. Whether you are replacing an old unit or just adding a lazy susans to your corner cabinet, you will not be disappointed with the high-quality construction. Available for BCC36L and BCC36R.

---



5472-28 CR

Chrome Kidney Lazy Susan

The Premiere Kidney Shape Lazy Susans are made of heavy duty chrome wire for contemporary kitchen designs. The 5472 Series is a two shelf set available in a 28" diameter featuring the durable 1" chrome plated diameter shaft system with independent rotating hardware and a telescoping shaft for variations in cabinet height. Available for BCC36L and BCC36R.

---

4VOD-18FLSC-1

Vanity Base Organizer Pull-Out



Make the mess of a cluttered vanity a thing of the past with Rev-A-Shelfs vanity outlet drawer. Store hair dryers and curling irons in one easy to access location and additional compartments are perfect for organizing beauty products. With the integrated outlet you always have a free receptacle to plug items in. Available for 3VDB18FH and 2EVDB18.

---

548-06CR-1

Two Tier Base Organizer For Full Height 9"



Keep items stored away in this easy to reach base pull-out. Features include right or left hand mounting, door mountable chrome frame and ball-bearing slides.

438-BC-6C	Base Organizer Pullout For Full Height 9"
-----------	---



Keep items stored away in this easy to reach base pull-out. Features include right or left hand mounting, door mountable chrome frame and ball-bearing slides.

5786-30CR (For SB33)	U-Shaped Wire bottom shelf pull-out
5786-33CR (For SB36)	U-Shaped Wire bottom shelf pull-out



Obtrusive plumbing shouldn't dictate your storage space. Update with a chrome wire pullout, outfitted with U-Shaped frame that fits around the peskiest of pipes. For 30" and 33" vanity and base sink cabinets.

5322KB-BCSC-6-GR	Contemp Base Pullout With Knife Block And Utensil
5322KB-BCSC-9-GR	Contemp Base Pullout With Knife Block And Utensil



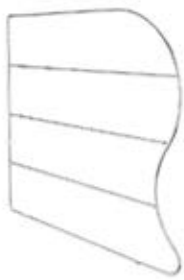
Bring the elegance of this chic design into your home with the 5322 Knife Block pullout. This patented Two-Tier Base Organizer combines clean lines and modern chrome accents. The luxurious Glacier Grey shelving surfaces to create a striking piece of organizational technology – available in 9" and 12" cabinetry.

4SDI-18	Spice Drawer Insert
4SDI-24	Spice Drawer Insert



Keep spices conveniently stored in a drawer by the stove with Rev-A-Shelf's Spice Drawer Insert. With a tiered configuration for total organization and easy access, these spice drawer inserts are available in natural maple and walnut. The 4SDI Series can be customized to fit various drawer sizes , but are designed to fit an 18" or a 24" Drawer from the factory.

LD-59718CR-1	Tray Divider Chrome
--------------	---------------------



Simple but effective. Why fight with your baking sheets or platters and just organize them. Perfect for those small cabinets either above your refrigerator or the skinny cabinets next to your oven. Simple 4 screw installation.

**CHROME TOWEL HOLDER**



PULLOUT:  
 DESIGNED FOR BASE OR SINK BASE CABINETS  
 3/4- OR FULL-EXTENSION, BALLBEARING, 25 LB. RATED SLIDES  
 UNIVERSAL MOUNTING, NON-HANDED  
 MOUNTS TO CABINET SIDE WALLS  
 HOLDS UP TO (2) OR (3) DISH TOWELS

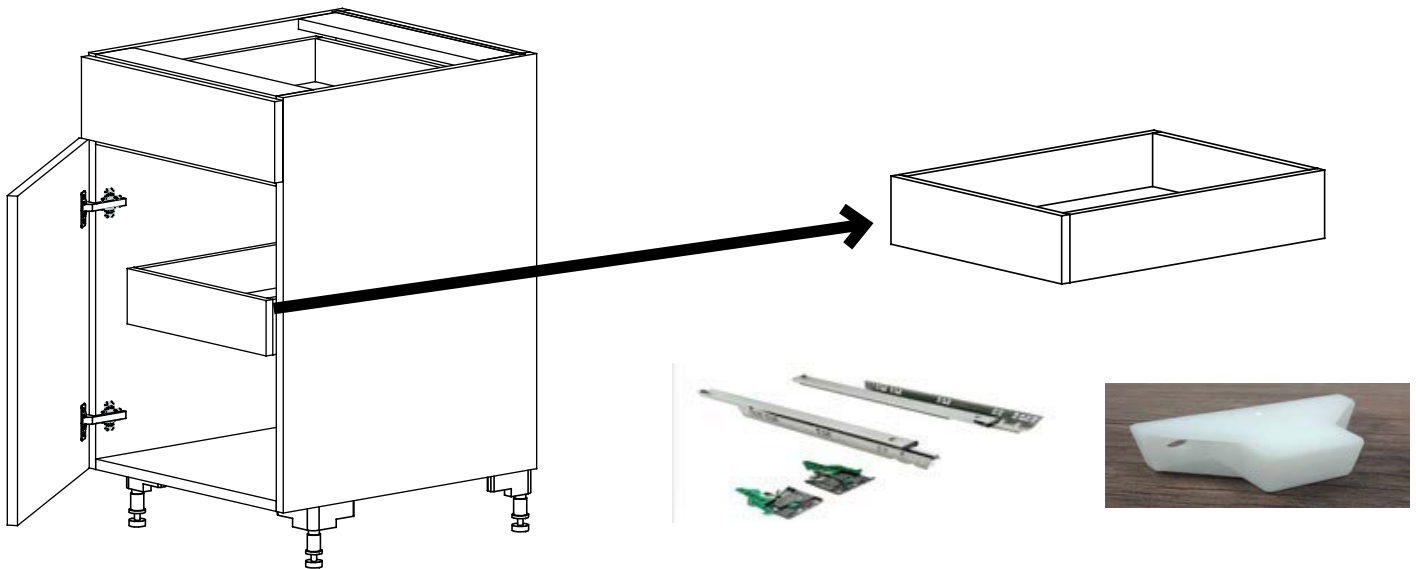
563-47C	CHROME TOWEL HOLDER
---------	---------------------------

## ROLL OUTS

### SOLID WOOD DOVETAIL

#### KITCHEN DEPTH

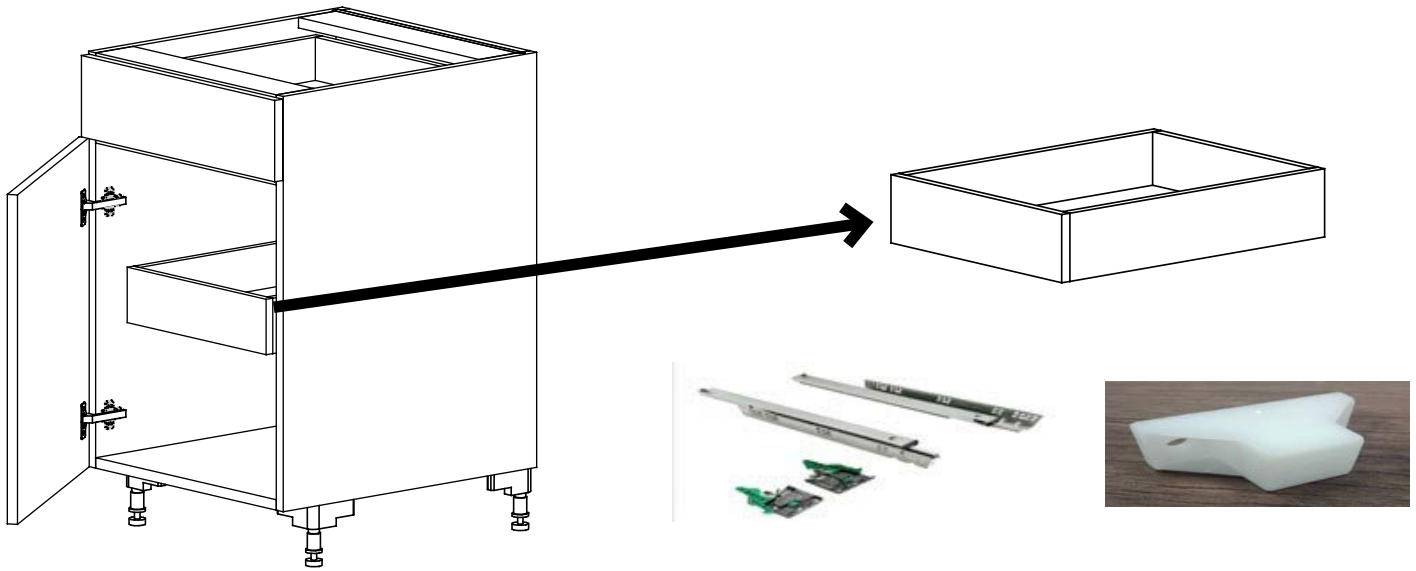
ROW-1224	Rollout Shelf Dovetail Wood 9W x 21D
ROW-1524	Rollout Shelf Dovetail Wood 12W x 21D
ROW-1824	Rollout Shelf Dovetail Wood 15W x 21D
ROW-2124	Rollout Shelf Dovetail Wood 18W x 21D
ROW-2424	Rollout Shelf Dovetail Wood 21W x 21D
ROW-2724	Rollout Shelf Dovetail Wood 24W x 21D
ROW-3024	Rollout Shelf Dovetail Wood 27W x 21D
ROW-3324	Rollout Shelf Dovetail Wood 30W x 21D
ROW-3624	Rollout Shelf Dovetail Wood 33W x 21D
ROW-3924	Rollout Shelf Dovetail Wood 36W x 21D
ROW-4224	Rollout Shelf Dovetail Wood 39W x 21D



**Solid Wood Dovetail Rollouts  
For Standard 21" Cabinet Depth Drawer Comes  
Undersized By 3" To Work With Hinge**

**SOLID WOOD DOVETAIL  
VANITY DEPTH**

ROW-1221	Rollout Shelf Dovetail Wood 9W x 18D
ROW-1521	Rollout Shelf Dovetail Wood 12W x 18D
ROW-1821	Rollout Shelf Dovetail Wood 15W x 18D
ROW-2121	Rollout Shelf Dovetail Wood 18W x 18D
ROW-2421	Rollout Shelf Dovetail Wood 21W x 18D
ROW-2721	Rollout Shelf Dovetail Wood 24W x 18D
ROW-3021	Rollout Shelf Dovetail Wood 27W x 18D
ROW-3321	Rollout Shelf Dovetail Wood 30W x 18D
ROW-3621	Rollout Shelf Dovetail Wood 33W x 18D
ROW-3921	Rollout Shelf Dovetail Wood 36W x 18D
ROW-4221	Rollout Shelf Dovetail Wood 39W x 18D



**Solid Wood Dovetail Rollouts  
For Standard 21- 23-3/4" Cabinet Depth Drawer Comes  
Undersized By 3" To Work With Hinge**



## ARCHITECTURAL SLAB

25" & 39" DEPTHS

96" LENGTHS

UFCT-W-2598	8' Architectural Slab 25" - Unfinished Walnut
UFCT-W-3998	8' Architectural Slab 39" - Unfinished Walnut
UFCT-O-2598	8' Architectural Slab 25" - Unfinished Winter White Oak
UFCT-O-3998	8' Architectural Slab 39" - Unfinished Winter White Oak
UFCT-M-2598	8' Architectural Slab 25" - Unfinished Maple
UFCT-M-3998	8' Architectural Slab 39" - Unfinished Maple
UFCT-VGC-CHSNT-3096	8' Architectural Slab 25" - Unfinished Bamboo
UFCT-VGC-CHSNT-3672	8' Architectural Slab 39" - Unfinished Bamboo
UFCT-ORG-3998	8' Architectural Slab 39" - Unfinished Organic Oak
UFCT-H-3998	8' Architectural Slab 39" - Unfinished Hickory

**Waterfall Countertops come unfinished – The dealer must finish the counters to their liking (Monogram Home has some suggestions as to Monogram Home finishing products that can be used – please request from Distributor or Customer Service)**

**Bamboo Countertops are different sizes than the other species – please refer to the sizing charts in this section for more information.**

**2020 Design will automatically tally up the number of Waterfall Countertops and round up to the nearest slab.**

**\*\*\*Countertops come as slabs only and must be cut to height in the field by the installer – Counters are solid wood of the same species throughout and can be cut by traditional cabinet installation tools.**

**\*\*\*Countertops must be finished after being unboxed and the protective plastic taken off – counters left unfinished or exposed for a prolonged amount of time after unwrapping will not be warranted.**







**\*\*\*Please make note of the depth of each countertop to determine how you will use them with the cabinetry/door selection.**



**Warranty Coverage:** Monogram Home® warrants that our slabs will not experience excessive warping or delamination manufacturing defects. Monogram Home® further warrants that the slabs are free from defects in material and manufacturing when used for their intended interior application. \*Slabs are made from real, solid wood and/or bamboo - High contrast & color variation is natural and to be expected. Display samples have been finished with clear urethane for protection. For more information on warranty, maintenance and installation, visit our website.

## HARDWARE

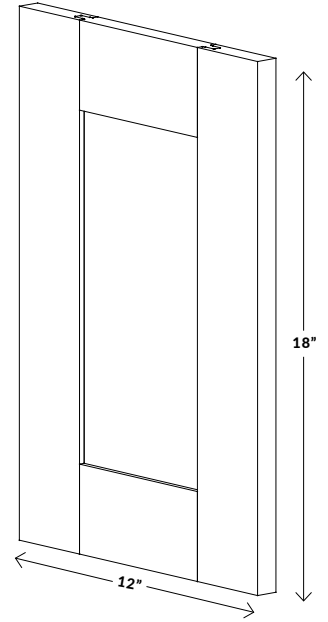
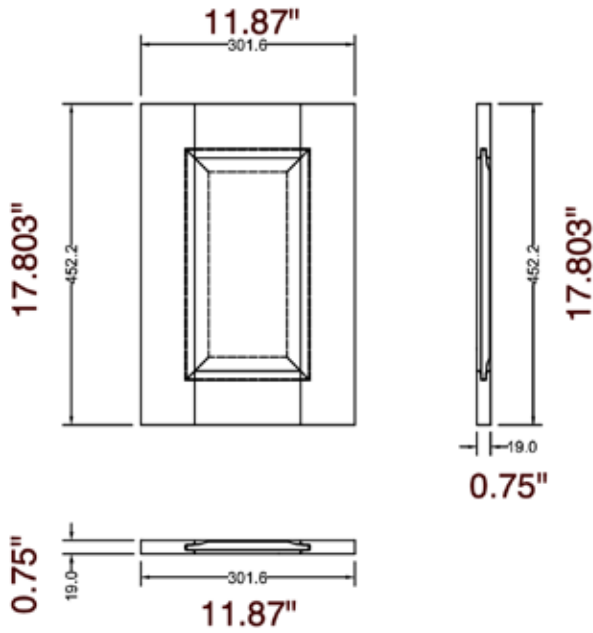
UMBCGUIDE-SC	soft closing undermount drawer slide	SPECIFICATION	20"
UMVCGUIDE-SC	soft closing undermount drawer slide		18"
HINGE165	cabinet hinge		165"
HINGE135	cabinet hinge		135"
HINGESC	Frameless Full overlay cabinet hinge		Full overlay
BUMPERSHEET	Door bumper		Ø13*3mm
ADJSHCLIP	Adjustable Shelf support		ø6.3*8
LEG	Plastic adjustable leg		foldable+adjustable
SPACER	Plastic Spacer for rollout drawer slide - 1-1/2"		46*38*20
KEKUSET	Snap fastener		48*44*23mm
DUMMYFAST	Metal fastener System for Dummy drawerfront		22*16*13
LOCKCLIP2	2-way adjustable locking clip set (Standard for dovetail drawers)		Glacier Grey
LOCKCLIP4	4-way adjustable locking clip set (Upgrade for dovetail drawers)	Glacier Grey	

 <p>UMBCGUIDE-SC UMVCGUIDE-SC</p>	 <p>BUMPERSHEET</p>	 <p>KEKUSET</p>
 <p>HINGE165</p>	 <p>ADJSHCLIP</p>	 <p>DUMMYFAST</p>
 <p>HINGE135</p>	 <p>LEG</p>	 <p>LOCKCLIP2</p>
 <p>HINGESC</p>	 <p>SPACER</p>	 <p>LOCKCLIP4</p>

# MARKETING

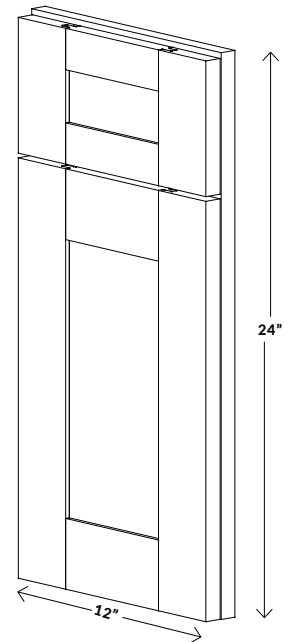
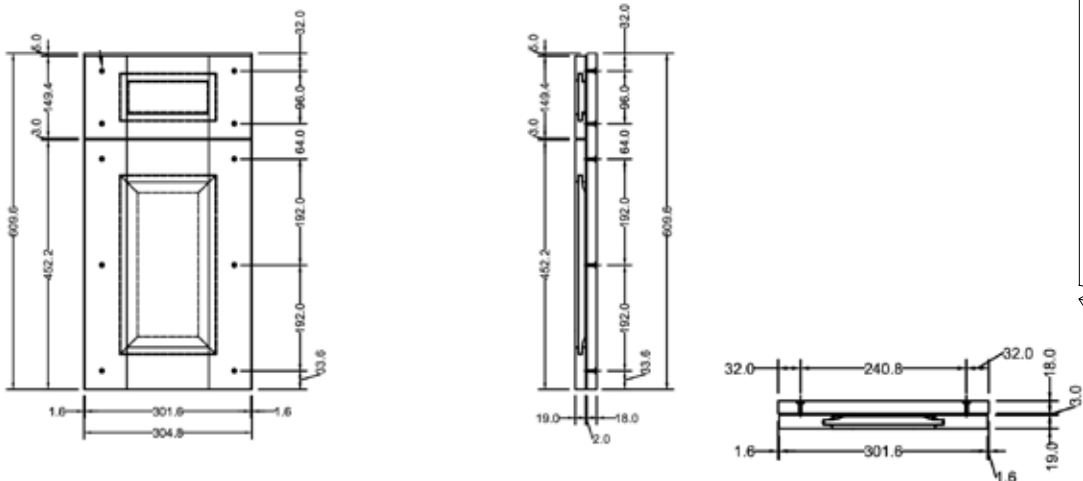
## SMALL DOOR SAMPLE - SMDS

SMDS	12" wide x 18" high
------	---------------------



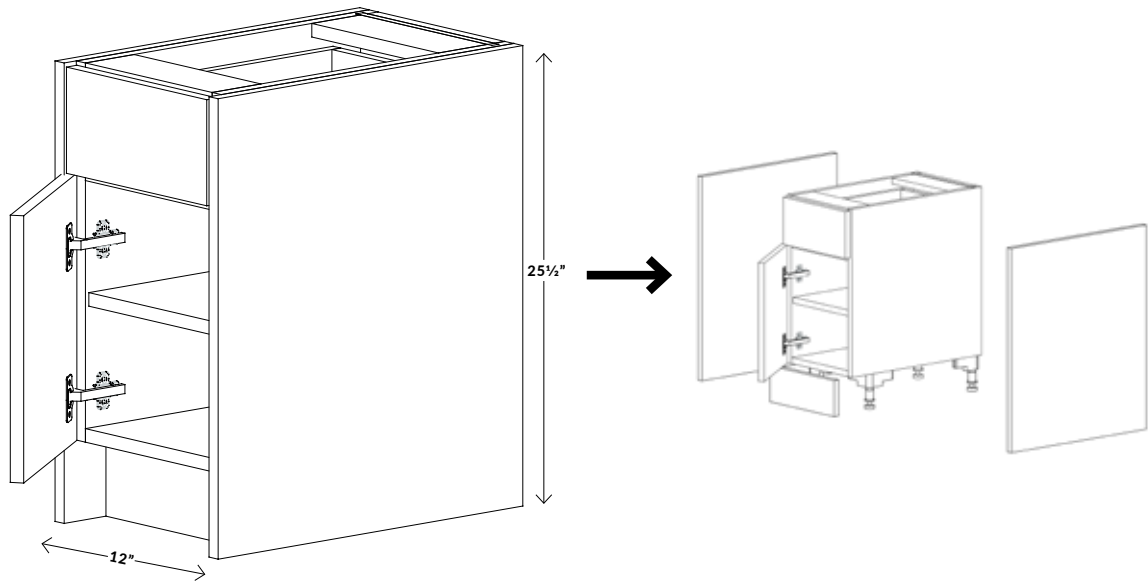
## SAMPLE FRONT - SF

SF	12" wide x 24" high
----	---------------------



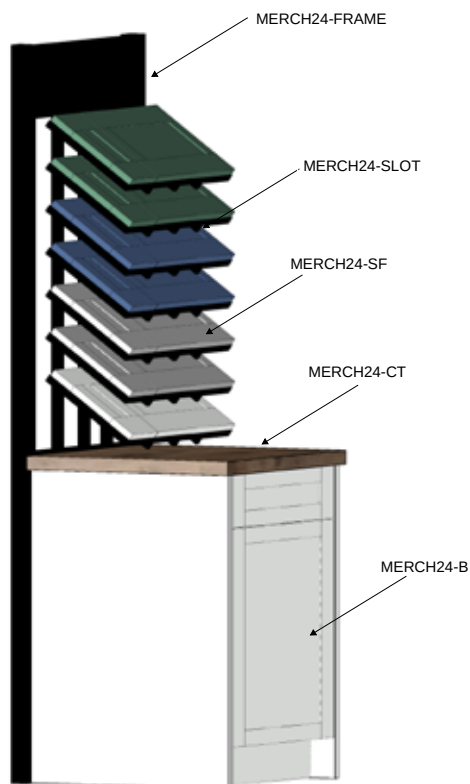
## MINI BASE CABINET - MINIBASE

MINIBASE	Minibase cabinet – Including one Winter White base cabinet, 12” Wide x 25-1/2” high x with two Winter White BEP and a Winter White toe kick (Comes in Winter White Color Only)
----------	--



## MERCHANDISER - MERCH24

MERCH24	<p>MERCH24-B (base cabinet and panels) comes in Winter White only.</p> <p>MERCH24-SF (7 Sample Fronts) standard styles and colors are selected by Monogram Home.</p> <p>MERCH24-CT (Architectural Slab) species selected by Monogram Home.</p> <p>MERCH24-FRAME (Black metal structure, side bars)</p> <p>MERCH24-SLOT (Black metal sample front support, base and header)</p>
---------	--



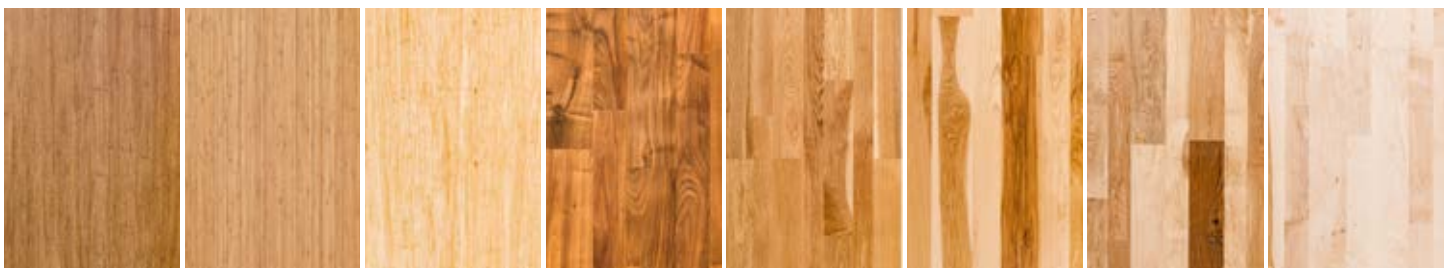
**ARCHITECTURAL SLAB**

**MERCHANDISER - LARGE & SMALL**

<p>LARGE ROTATED COUNTERTOP DISPLAY</p>	<p>Countertop-Rotate-DSP (Countertop Rotate Rack)          UFCT-DSB-ROTATED SET-BAMBOO CHSNT-VGC          UFCT-DSB-ROTATED SET-BAMBOO VGC-CHSNT          UFCT-DSB-ROTATED SET-BAMBOO WHT-VGC          UFCT-DSB-ROTATED SET-EOR NATURAL          UFCT-DSB-ROTATED SET-HICKORY NATURAL          UFCT-DSB-ROTATED SET-MAPLE NATURAL          UFCT-DSB-ROTATED SET-WALNUT NATURAL          UFCT-DSB-ROTATED SET-Winter White OAK NATURAL</p>
<p>SMALL COUNTERTOP RACK</p>	<p>COUNTERTOP-DSP</p>
<p>SMALL COUNTERTOP PCS</p>	<p>8pcs of 9.65" x 9.65" x 1.5" Unfinished Countertop          Samples - American Maple, American Hickory, American          Walnut, European Oak, Hand Scraped Oak, Vertical Grain          Bamboo, Chestnut Bamboo and Wheat Bamboo.</p>



**BAMBOO, WALNUT, OAK, HICKORY, MAPLE**



## TOUCH-UP SUPPLIES



FINISH	SKU	DESCRIPTION
Winter White Paint	TUK-WH	Touch-Up Kit
Glacier Grey Paint	TUK-GR	Touch-Up Kit
Bermuda Blue Paint	TUK-BL	Touch-Up Kit
Lumos Stain	TUK-LA	Touch-Up Kit
Nova Stain	TUK-NP	Touch-Up Kit



FINISH	SKU	DESCRIPTION
Winter White Paint	SPRAY-WH	Touch-Up Kit
Glacier Grey Paint	SPRAY-GR	Touch-Up Kit
Bermuda Blue Paint	SPRAY-BL	Touch-Up Kit
Lumos Stain	SPRAY-LA	Touch-Up Kit
Nova Stain	SPRAY-NP	Touch-Up Kit

ITEM	SKU
Product Guide	Product Guide_4.24
Specification Manual	SPECBOOK_4.24
Countertop Guide	Countertop-LIT

## MODIFICATIONS

RFG (Route for Glass)	Route for glass available for wall cabinets with 30, 36, & 42 heights. The inside edge of the route is finished. No glass included. 1 Charge per cabinet box.
Matching Edgeband	Matching edgeband can be selected for a PVC edge on the front of the cabinet. Available for cabinets other than Winter White. 1 box charge for each base, wall & vanity cabinet. 2 box charge for each linen, pantry & tall oven cabinet.

## WARRANTY

Monogram Home extends the following limited lifetime warranty on all cabinets manufactured and sold by Monogram Home within the United States and Canada. This Limited Warranty is only applicable to Products sold to the original purchasing consumer on or after January 1, 2022. Monogram Home warrants that all cabinets purchased from Monogram Home will be free from all unnatural defects in material and workmanship in accordance with Monogram Home's quality standards sheet under normal residential use as long as the original purchasing consumer owns the home in which such cabinets are installed. This warranty is non-transferable to subsequent owners of the home. Door hinges and all drawers glide system, including system hardware (lift system), however, are warranted for only 1 year under normal residential use from the date of the original purchase.

**\*\*\*\*THIS LIMITED WARRANTY IS SUBJECT TO ALL LIMITATIONS, EXCLUSIONS, DISCLAIMERS, AND PROCEDURES SET FORTH HEREIN\*\*\*\***

- The warranty does not cover defects caused by improper handling, storage, dirt, chemicals, abrasive or citrus cleaning products, installation, assembly or disassembly, transit or other intentional or negligent damage, product modifications, exposure to the extreme moisture, humidity or excessive heat or cold (temperature outside the range of 50-85°F and humidity outside the range of 30-55% are considered extreme), nor does it cover defects arising from normal wear and tear, misuse, neglect, accidents, alterations, improper use, exposure to improper loads, or failure to maintain properly. Any modification to the hardware structure or finish of the original consumer purchaser's cabinetry by anyone other than those specifically authorized by Monogram Home to do so shall void this limited liability warranty. The product must be used exclusively for its intended purpose in order to be covered by this limited liability warranty. This limited liability warranty shall become void if the cabinets or any components or parts thereof are in any way modified, improperly installed or damaged prior to or during installation, or installed or used in other than normal residential applications.
- **Natural woods may vary in color, grain pattern, and characteristics and exhibit subtle changes as they age.** Wood characteristics that naturally occur, such as variations in color, grain, mineral streaks and knots, are not considered defects. Monogram Home will not be held responsible for these variations in your cabinetry. For example, painted doors, drawer fronts, and face frames may eventually have visible cracking around the joint area, and cabinet colors may darken or lighten over time. These conditions are considered a normal occurrence and are not included or covered by this limited liability warranty. UV light, Sunlight, smoke, household cleaners, and other environmental conditions may also affect the color and integrity of the Product's finish or appearance over time. These variations are considered to be the nature of the material in relation to their environmental exposure and are not considered defects in material or workmanship and are not covered under this Limited Warranty.
- **Door joints** in particular are likely to react to conditions of their environment. Gaps that may develop in door joints due to conditions of their environment are not included or covered by this limited liability warranty. This limited liability warranty does not cover or apply to hairline cracks of cabinetry; hairline cracks are unavoidable in wood cabinets given the nature of the material. Every species and grade of solid wood behaves in such a way as to eventually result in hairline cracks.



- Wood is wood and **expansion and contraction** still happen year after year as it compensates and adjusts to ever changing atmospheric humidity and temperature conditions. Observing shrink, expansion on center panels of doors is very common. It will return to its natural position within couple months once it has adjusted to seasonal changes. For the same reason, all door warpage greater than ¼" will be warranted. Please remove all doors and check them on a flat surface for the above stated warpage before requesting replacement.
- **Warranty Performance.** Monogram Home periodically updates and makes changes to its product line and specifications. If a warranty claim is filed during the warranty period against obsolete or changed product and repair is not possible, Monogram Home will, at its sole option, repair or replace the part under warranty with a new part of the same style or with a similar style currently offered and does not include or cover any other costs, including but not limited to any costs of service, labor, shipment, transportation, removal or installation related to the repair or replacement. Monogram Home is not responsible for a replacement product that may not match the installed product exactly. If a manufacturing defect occurs within this limited liability warranty's terms and conditions and Monogram Home determines to replace the defective cabinet or component or part thereof, Monogram Home will ship the replacement cabinet or component or part thereof to the original consumer purchaser via ground shipper or freight carrier, at Monogram Home's sole discretion.
- **CLAIMS:** To file a warranty claim, first contact your locally authorized Monogram Home builder, dealer or distributor who installed and sold the Monogram Home product. They will obtain the information necessary to make a claim decision and forward such information in writing to Monogram Home. A dated sales receipt as proof of purchase is also required to obtain benefits from these warranties. At its discretion, Monogram Home may require an inspection of the allegedly defective product before repairing or replacing. If you have difficulty obtaining assistance, please email all documents to customerservice@Monogram Homehardwoods.com, with an explanation of the defect. Please do not send the allegedly defective cabinet or component or part thereof to Monogram Home, unless and until expressly requested to do so by our claims department. Pictures of cabinets or components or parts thereof will be requested by Monogram Home. Making a fraudulent claim may be a crime, and violators may be prosecuted. Monogram Home reserves the right to make all final decisions regarding warranty claims. This limited liability warranty and its enforcement, and any and all claims or disputes arising out of, relating to or in connection with this limited liability warranty or the making, performance or interpretation of this limited liability warranty, shall be (1) governed by and construed exclusively in accordance with the laws of the State of Texas, without regard to the conflicts of law or choice of law principles of the State of Texas or any other jurisdiction (including but not limited to U.S. federal law) that would require the application of the law of any other jurisdiction, and (2) brought only in the United States District Court for the Southern District of Texas.

