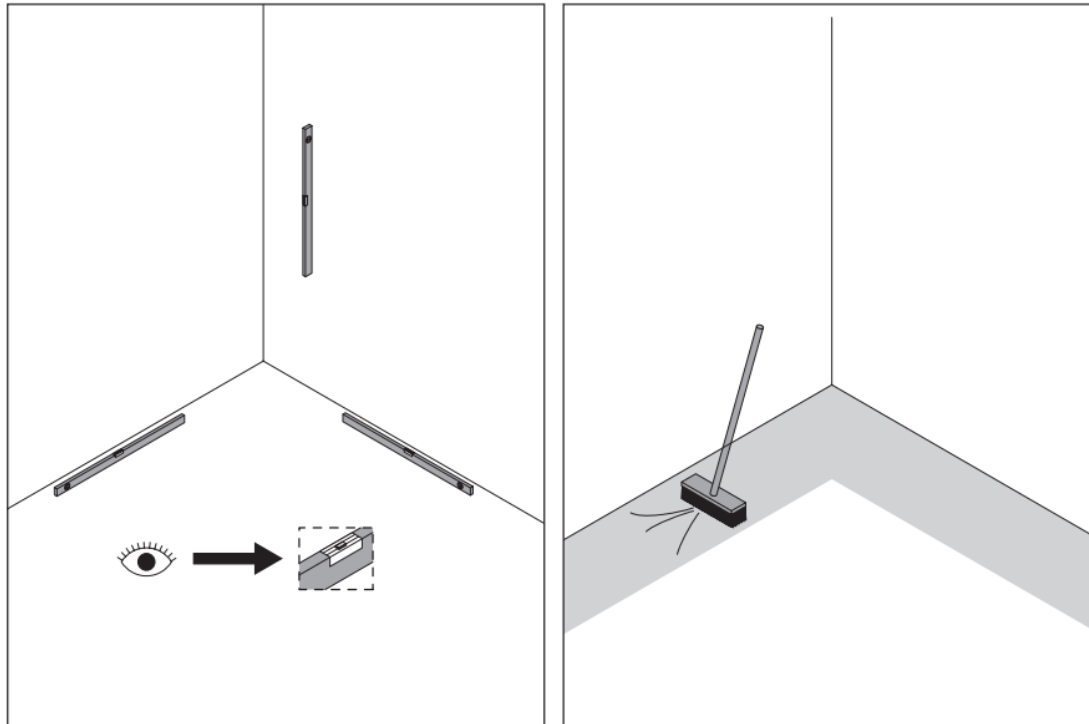




INSTALLATION MANUAL



INSTALLATION

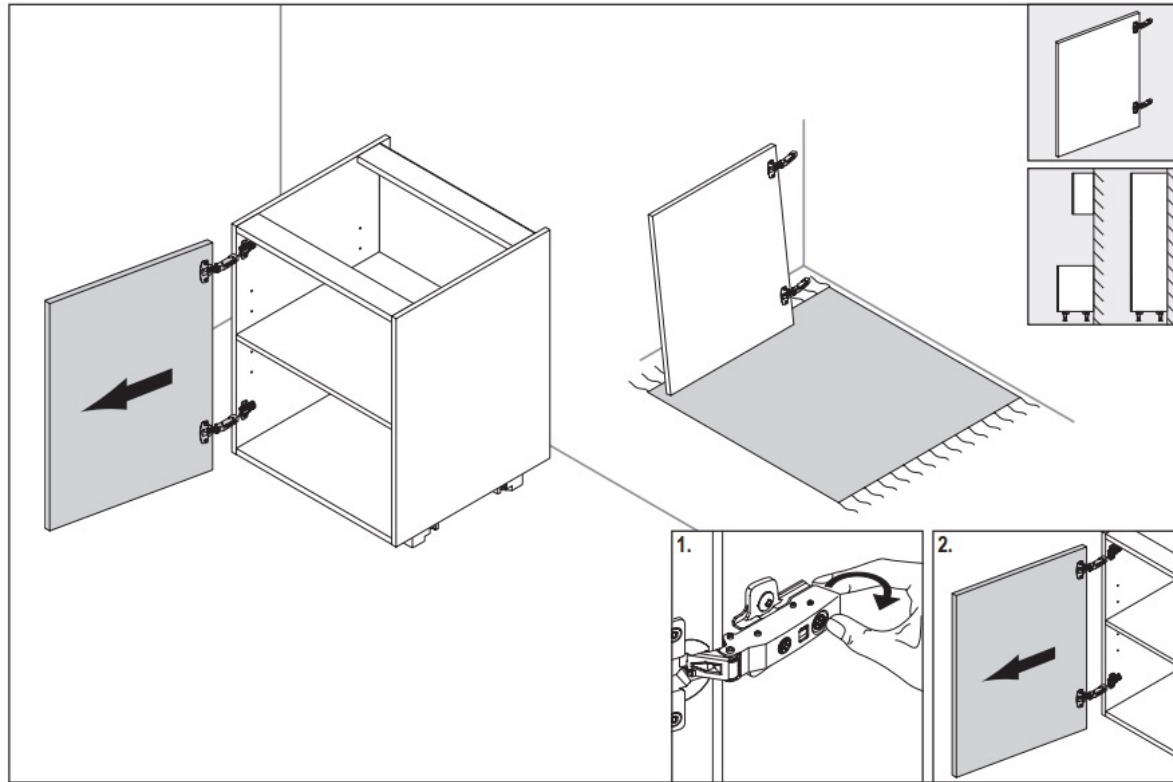


Place level on all walls and floors that will receive cabinetry

Mark out high spots

Sweep area that you'll be working on

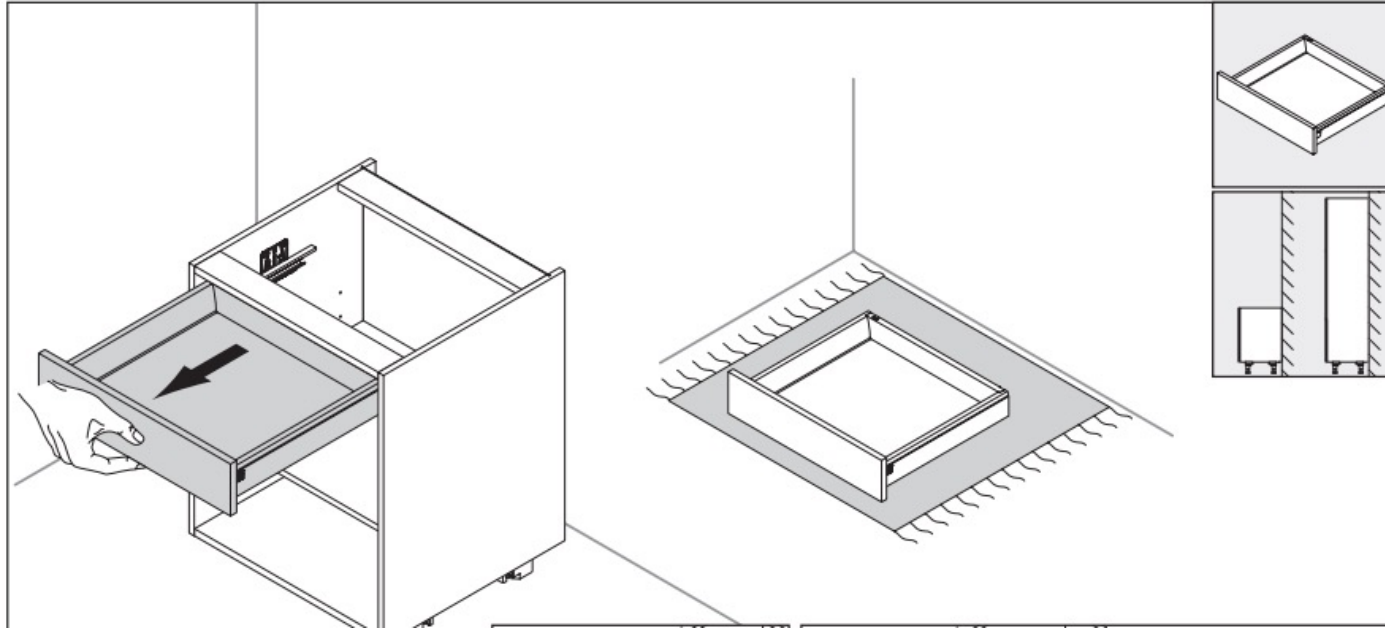
INSTALLATION



Take off all doors from cabinetry that will be installed and place them on a surface away from the installation area where they won't be moved or marred.

Hinges are clip-on and can be removed by hand

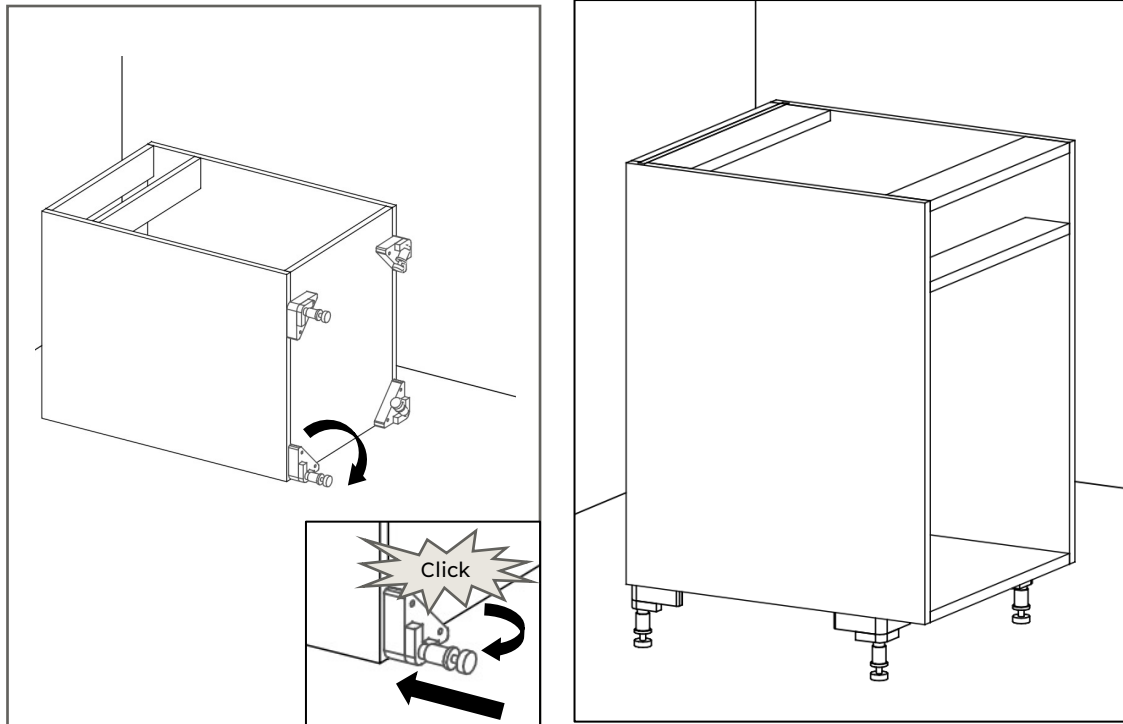
INSTALLATION



Take out all drawers from cabinets and place in an area that won't be disturbed.

Drawers have green locking mechanisms under the drawerbox that will release the box from the guides.

INSTALLATION



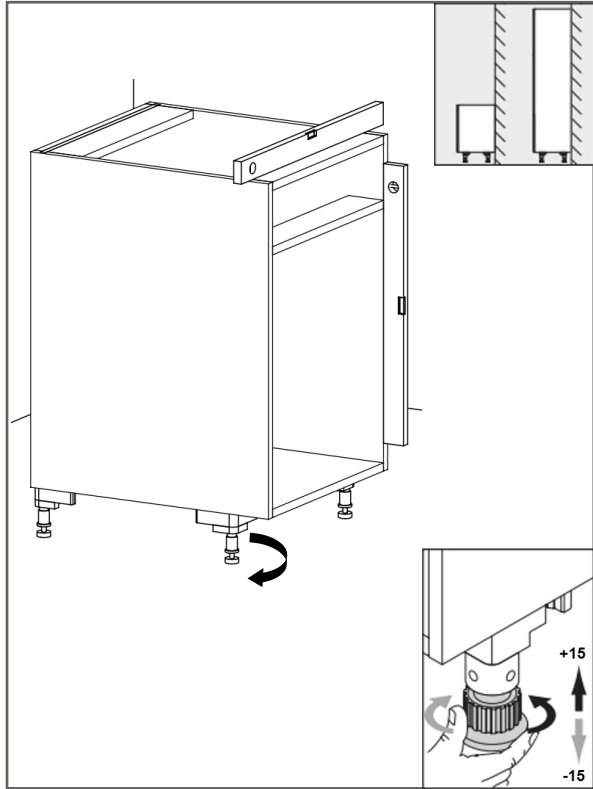
Cabinetry comes with composite legs that sit folded up inside the housing for shipping.

Pull leg out and push into housing until you hear the click to say that its seated.

Adjust as necessary for proper levelling

INSTALLATION

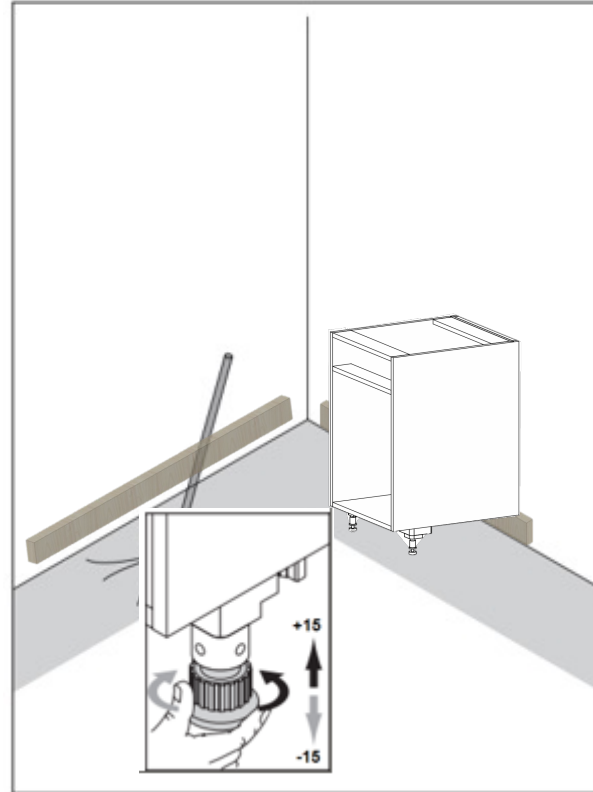
Base Installation – Method A



Two methods of installation

A. level off boxes and adjust front and back legs to 34-1/2" height

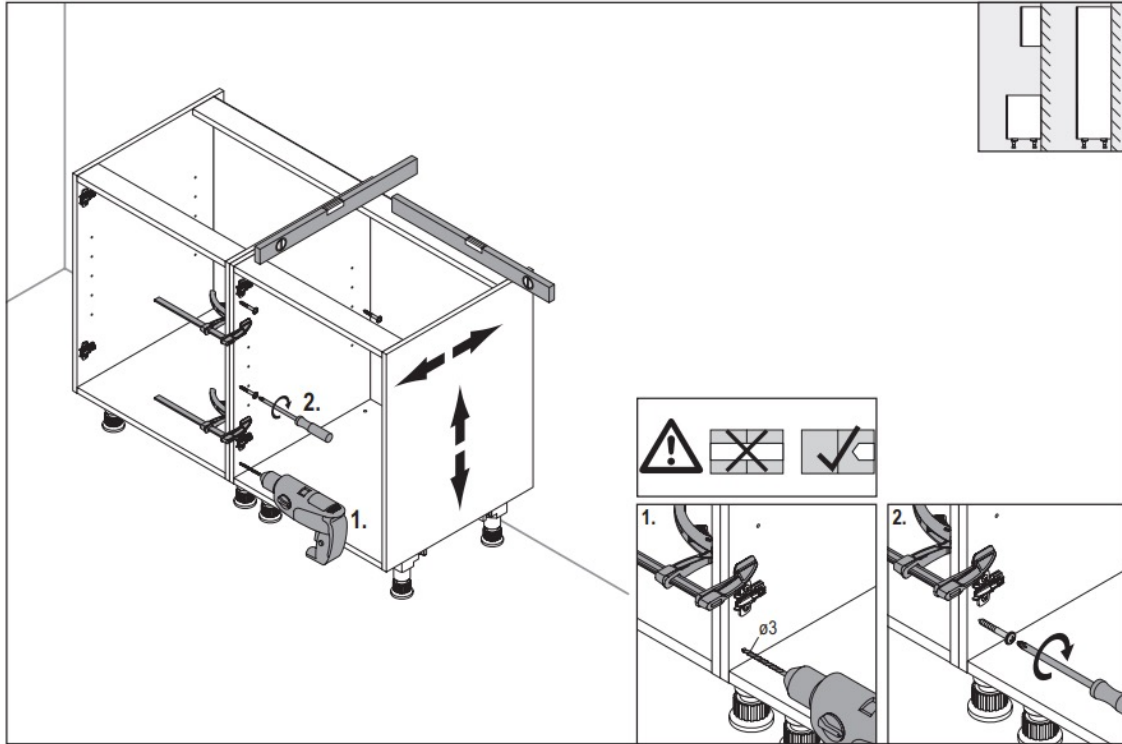
Base Installation – Method B



OR

B. At highpoint of the floor, level and attach 2x4 cleating 4-1/2" off the floor (secure into studs), remove back legs from cabinets, place back of boxes onto attached 2x4 cleating, level off cabinetry and adjust front legs to support levelled height. Screw cabinetry onto wall

INSTALLATION



Clamping boxes together

1. Pre-drill countersink hole for wood screw (note: do not drill all the way through to the inside of the second box)
2. Screw woodscrew - Can use #8 x 1-1/4" for boxes together or end panels

Tools required

Countersink
drill bit #6
(9/64")

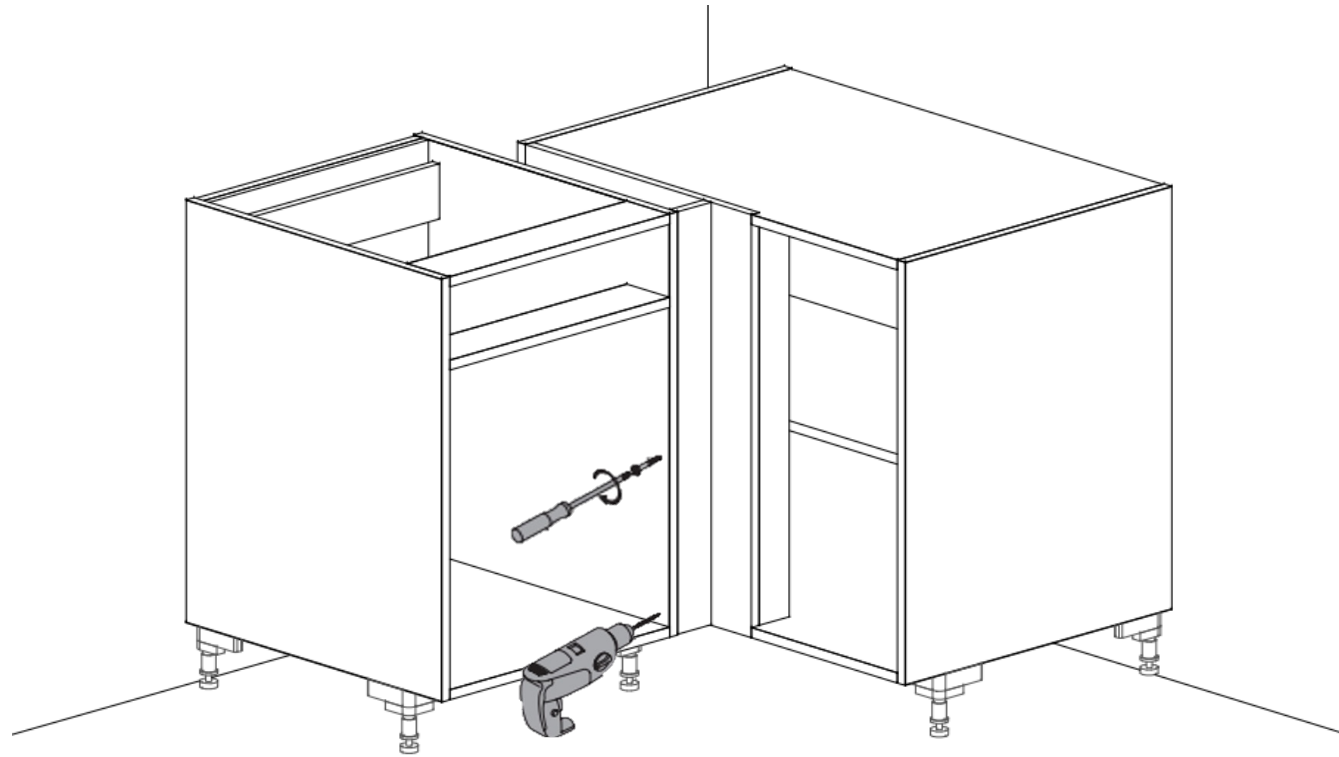
Wood screws Flat
head Philips #8
(1-1/4" long)

Setup the countersink
drill bit to 1-1/4" from the tip

Verify the length of the
drill bit against the
material thickness



INSTALLATION

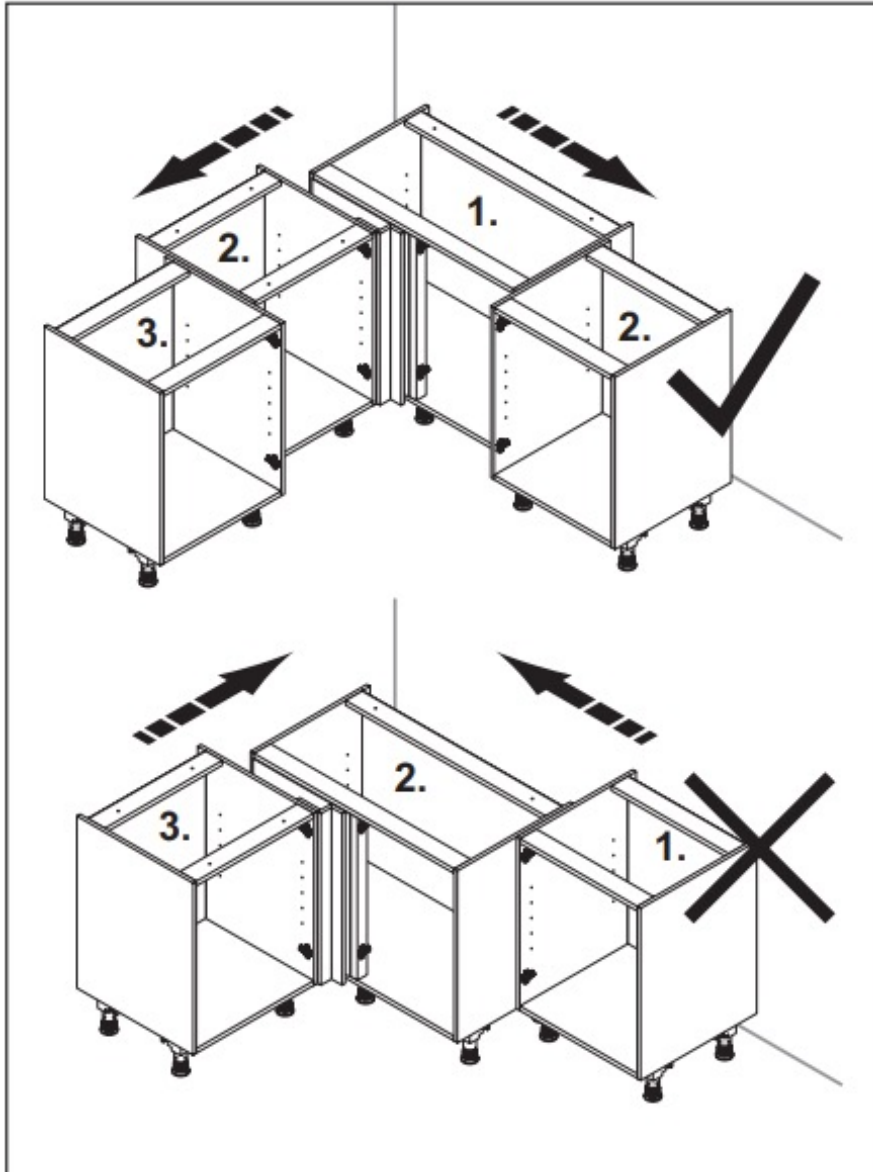


Blind Corner installation

Pull blind corner to required distance...

Blind corner cabinet has an integrated finished panel that can have right angle filler attached directly to it.

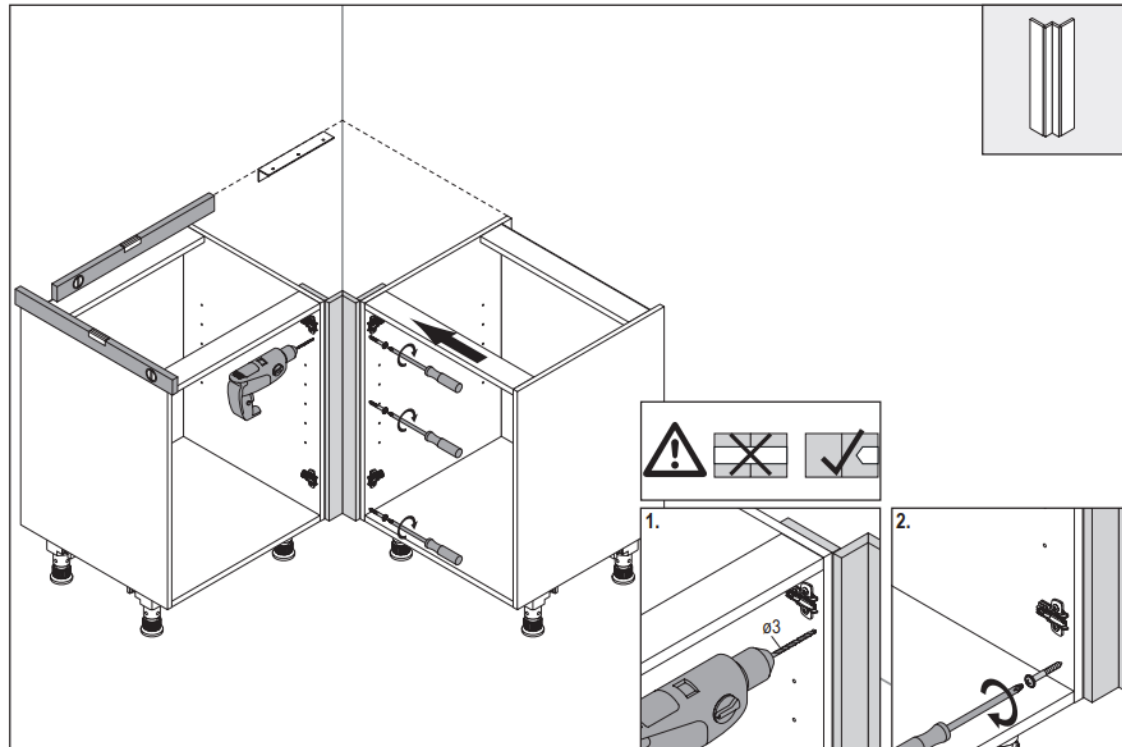
INSTALLATION



Install blind corner cabinets from the corner outwards

1. Start with pulling blind corner out to the desired distance and securing it to the wall after levelling
2. Install the cabinets that are attached to the blind corner
3. Install other cabinets from there

INSTALLATION

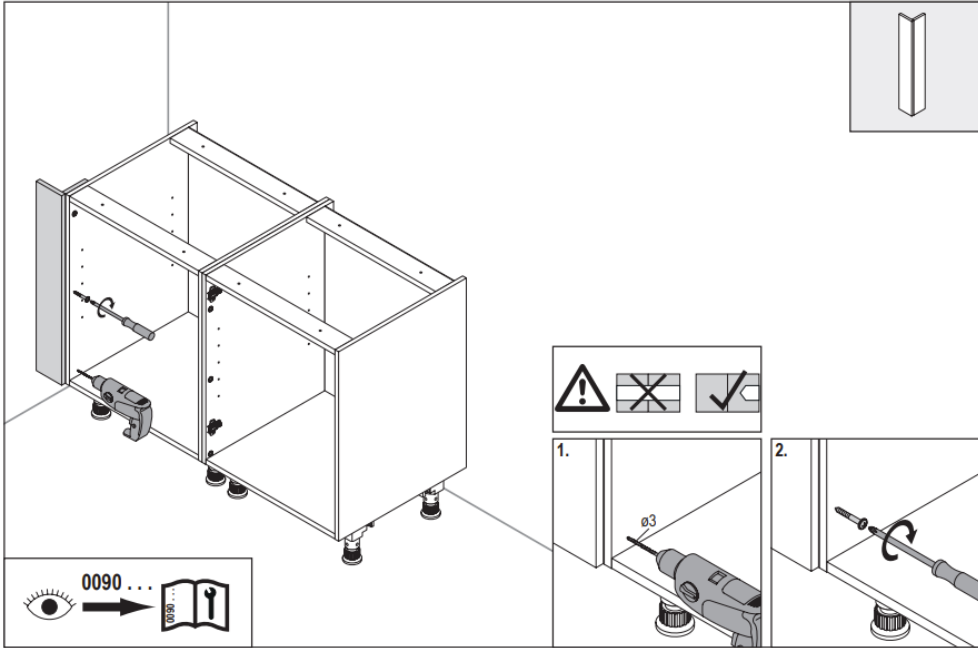


Dead Corner installation tips

Overlay Filler in corner installation (dead corner)

Provide cleating support at wall for countertops

INSTALLATION



Scribed overlay fillers installed to the wall

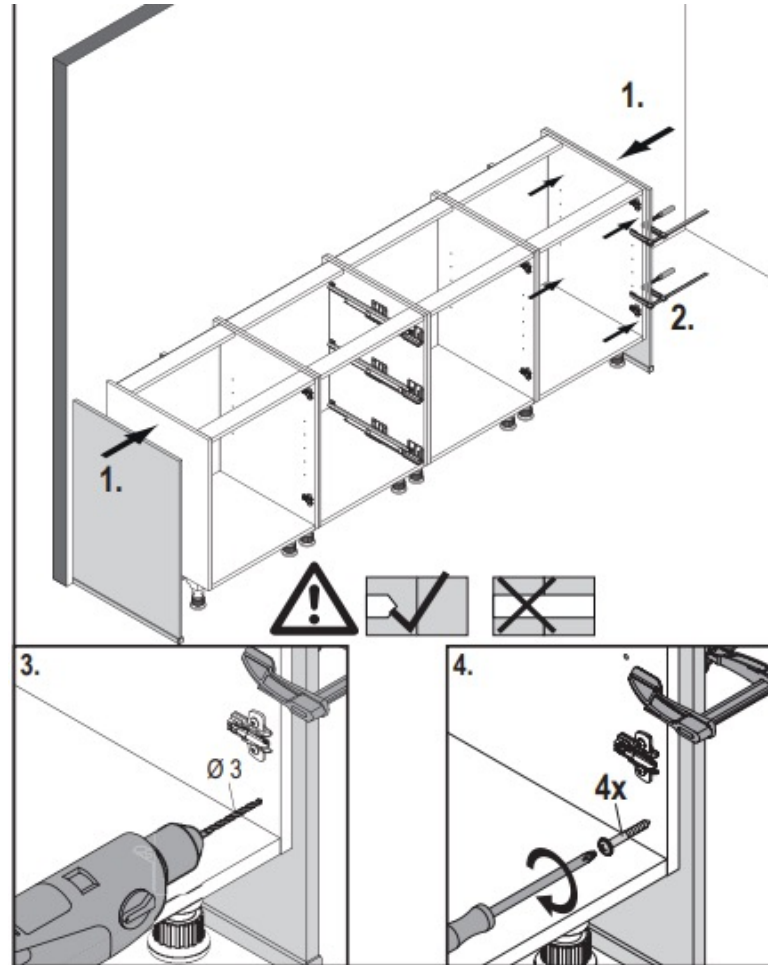
INSTALLATION

Install Base End Panels (BEP) Wall End Panels (WEP), or Vanity End Panels (VEP) where needed

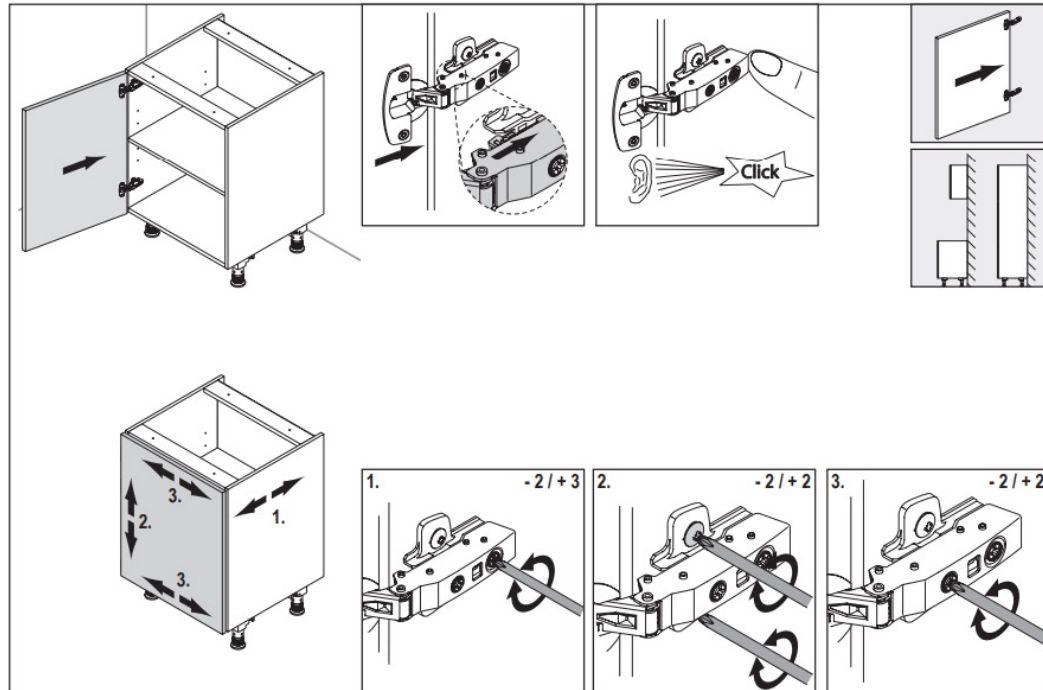
Clamp panels after flushing to the top and back of the base cabinets

Do not predrill through the front face of the BEPs

Base, Wall and Vanity End Panels designed to come out flush with doors and drawerfronts



INSTALLATION

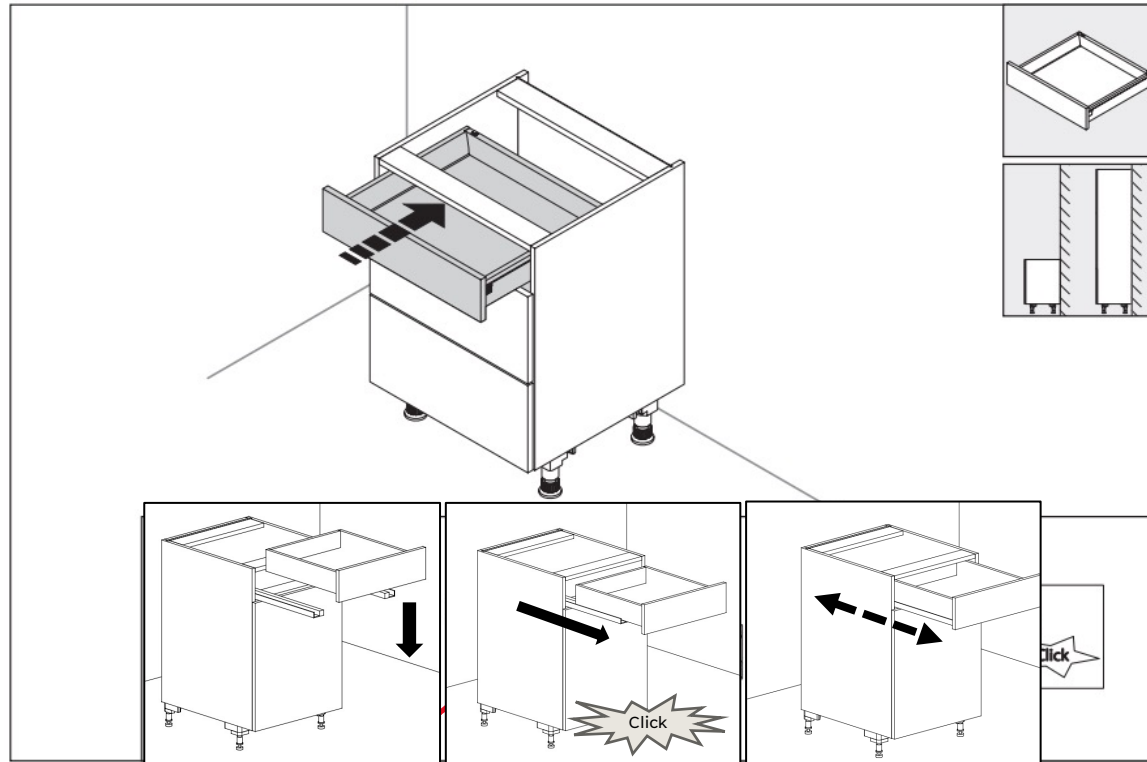


Replace all Doors

Push on door hinges, listen for the click

Adjust hinges as necessary for consistent reveals

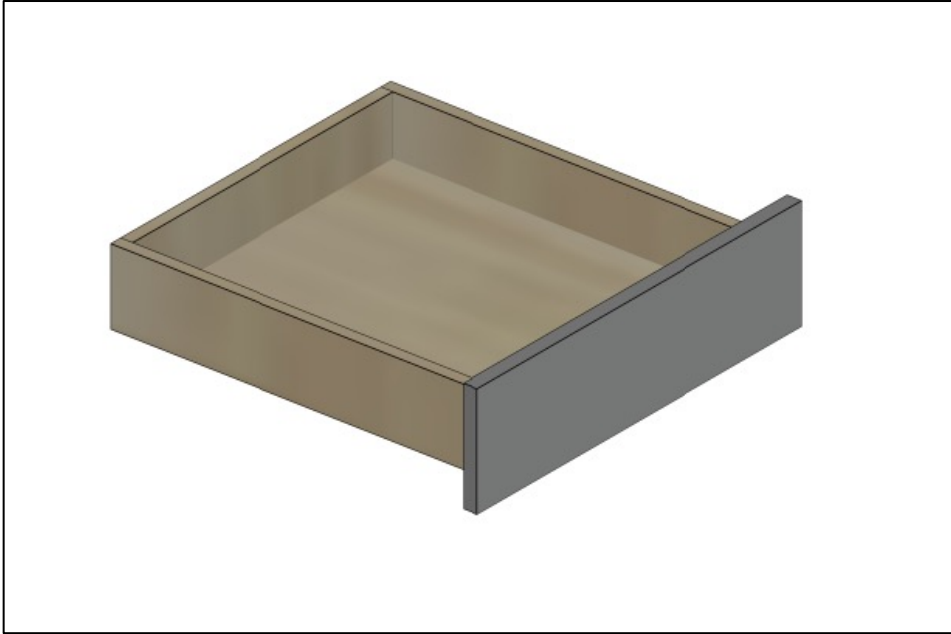
INSTALLATION



Install drawers back into cabinets

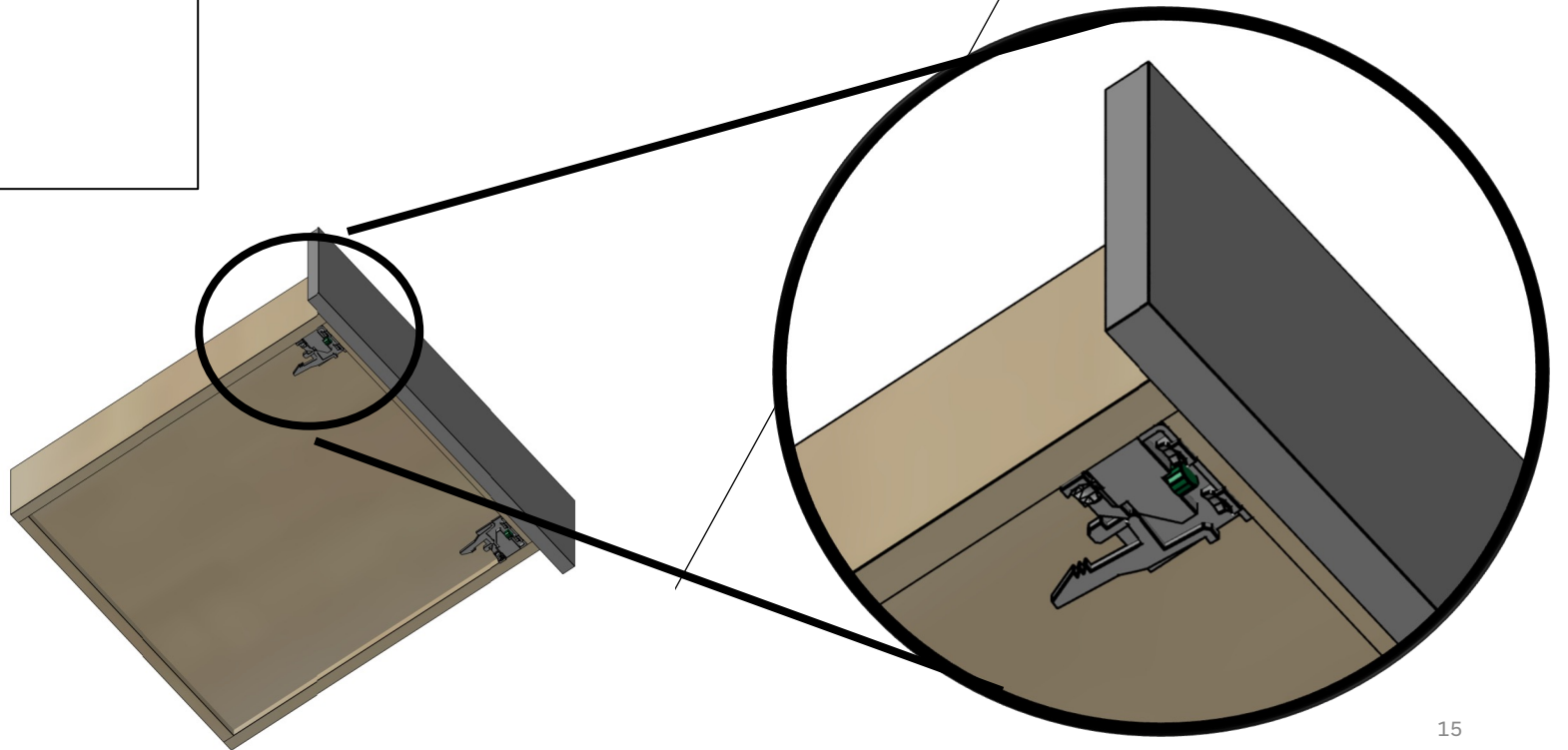
Pull out slides, place drawer on top of slides, pull slides forward, listen for the click to make sure that the slide has positioned itself inside the back of the drawerbox

INSTALLATION



DRAWER ADJUSTMENTS

Adjust our drawerfront and guides through the two way adjustable locking clips located under the drawerbox.



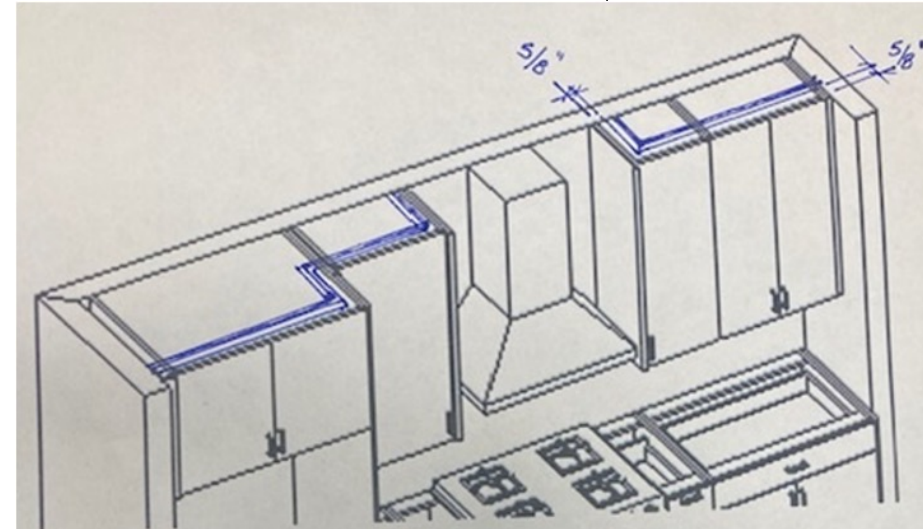
INSTALLATION

Cabinets to Ceiling (not enough room for crown)

Having room between the ceiling and the cabinet is important to give the doors room to swing out on an 'out of level' ceiling...

A 5/8" recessed molding (5/8" back from the front or side of the box) can be used to to the ceiling by cutting down filler material to allow for a space for the ceiling being off level...

For example - If you have a 97" to 97-1/2" finished ceiling height you can cut the scribe to 1" to 1-1/2" against the ceiling and install the upper cabinet up to that



INSTALLATION

Installation of the **Toe Kick**:

Measure and cut kick to size.

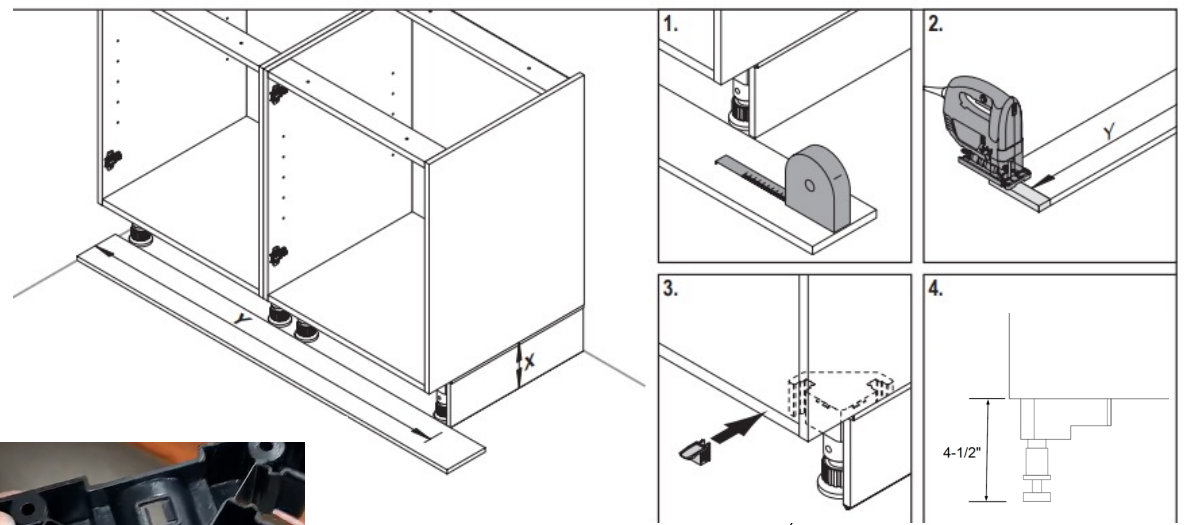
METHOD#1

Cut 1/4" off the height of the toekick (to 4-1/4" height) to account for black plastic clip (note: this will leave a 1/4" gap between the bottom of the cabinet and the kick).

Push the clip so that it snaps into the foot – this can be done after installation of the box.

Slide the kick under the clip –

A screwdriver can be used to help secure the clip onto the toekick with downward pressure



METHOD #2

4-1/2" height Toekick can be pin-nailed to the flat area on the composite legs to minimize visibility

